

Coaxial Bias-Tee

Wideband 2.5 to 6000 MHz

ZNBT-60-1W+ ZNBT-60-1W



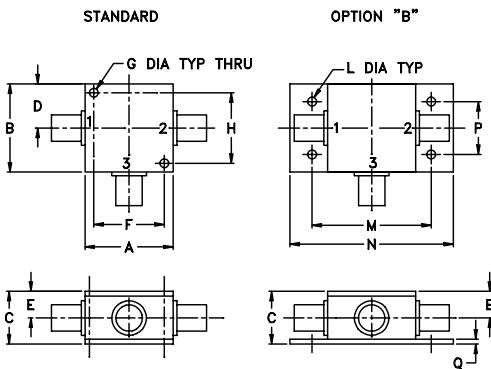
Maximum Ratings

Operating Temperature	-55°C to 100°C
Storage Temperature	-55°C to 100°C
Input Current	500mA
RF Power	30 dBm
Input Current	500mA
Voltage at DC Port	30V

Coaxial Connections

RF	1 (Type N Male)
RF&DC	2 (Type N Female)
DC	3 (BNC Female)

Outline Drawing



Outline Dimensions (inch/mm)

	A	B	C	D	E	F	G	H	wt.
	1.25	1.25	0.94	0.63	0.47	1.00	1.25	1.00	grams
	31.75	31.75	23.88	16.00	11.94	25.40	3.18	24.40	117.0

Features

- wideband coverage, 2.5 to 6000 MHz
- low insertion loss, 0.6 dB typ.
- high power, 1W & current, 0.5A

Applications

- biasing amplifiers
- biasing of laser diodes
- biasing of active antennas
- test accessory

Bias Tee Electrical Specifications

MODEL NO.	FREQ. (MHz)	INSERTION LOSS* (dB)						ISOLATION*(dB) (RF port to DC port) (RF&DC port to DC port)						VSWR** (:1)					
		L		M		U		L		M		U		L		M		U	
		f _l	f _h	Typ.	Max.	Typ.	Max.	Typ.	Max.	Typ.	Min.	Typ.	Min.	Typ.	Min.	Typ.	Max.	Typ.	Max.
ZNBT-60-1W(+)	2.5 6000	0.2	0.9	0.6	2.0	1.6	2.2	75	45	45	25	35	20	1.1	1.5	1.1	1.3	1.35	1.6

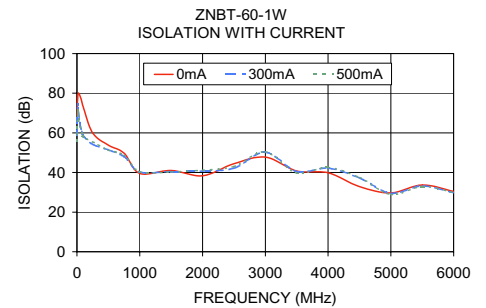
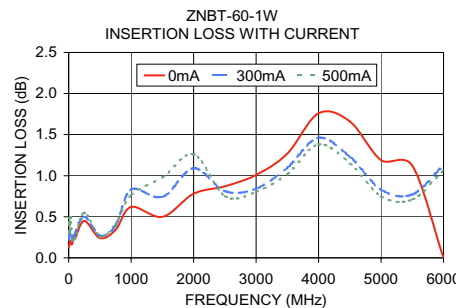
L= 2.5 - 25 MHz M= 25 - 3000 MHz U= 3000 - 6000 MHz

* Insertion Loss and Isolation are guaranteed up to 20 dBm-RF power and 200mA DC current.

** VSWR measured with open and short at DC port.

Typical Performance Data

Freq. (MHz)	Pin (dBm)	INSERTION LOSS (dB) with current							ISOLATION (dB) (Pin=-10dBm) with current						
		0mA	100mA	200mA	300mA	400mA	500mA	0mA	100mA	200mA	300mA	400mA	500mA		
2.50	30.00	0.13	0.23	0.21	0.22	0.31	0.30	68.50	62.97	60.56	58.97	57.44	55.90		
10.00	29.97	0.15	0.20	0.24	0.32	0.30	0.42	77.66	79.59	76.96	74.04	72.52	71.45		
25.00	29.86	0.21	0.21	0.22	0.29	0.29	0.49	80.02	70.90	70.60	69.99	68.07	66.79		
50.00	30.01	0.16	0.21	0.28	0.25	0.23	0.22	78.47	64.54	64.38	63.82	63.20	62.99		
75.00	30.09	0.23	0.25	0.21	0.24	0.29	0.21	76.00	61.41	61.08	60.63	60.45	60.05		
100.00	30.16	0.23	0.29	0.30	0.29	0.30	0.23	73.21	59.27	58.85	58.49	58.33	57.99		
250.00	29.95	0.45	0.48	0.46	0.50	0.42	0.55	59.95	53.49	53.94	54.27	54.90	55.48		
500.00	29.97	0.24	0.28	0.25	0.27	0.28	0.26	53.84	51.56	51.59	51.49	51.45	51.37		
750.00	30.00	0.34	0.43	0.39	0.39	0.37	0.41	49.76	48.15	48.03	47.97	47.87	48.75		
1000.00	30.12	0.62	0.67	0.77	0.83	0.82	0.76	39.51	40.38	40.33	40.30	40.34	40.39		
1500.00	30.11	0.50	0.53	0.73	0.74	0.82	0.98	40.98	40.70	40.59	40.52	40.38	40.28		
2000.00	30.07	0.78	0.81	1.07	1.09	1.15	1.26	38.39	40.41	40.59	40.79	41.03	41.19		
2500.00	30.33	0.87	0.73	0.76	0.81	0.78	0.75	44.44	43.39	43.34	42.18	43.14	43.02		
3000.00	30.23	1.01	0.81	0.83	0.84	0.81	0.80	47.79	50.29	50.00	50.25	50.35	50.41		
3500.00	29.94	1.27	1.07	1.09	1.10	1.06	1.02	40.78	40.57	40.01	40.48	39.65	39.75		
4000.00	29.62	1.76	1.54	1.51	1.46	1.41	1.38	39.82	41.94	42.51	42.21	42.62	42.60		
4500.00	30.06	1.66	1.29	1.28	1.23	1.18	1.15	32.83	36.48	36.51	37.26	37.33	37.50		
5000.00	30.07	1.19	0.92	0.87	0.83	0.79	0.75	29.66	29.37	29.59	29.56	29.33	28.96		
5500.00	29.53	1.12	0.82	0.79	0.77	0.72	0.71	33.67	33.30	33.28	33.22	33.02	32.93		
6000.00	30.02	1.54	1.17	1.13	1.13	1.10	1.07	30.44	29.81	29.89	29.76	29.58	29.95		



electrical schematic

