

Model 1221 Public Safety DAS Annunciator Panel Specifications & Features

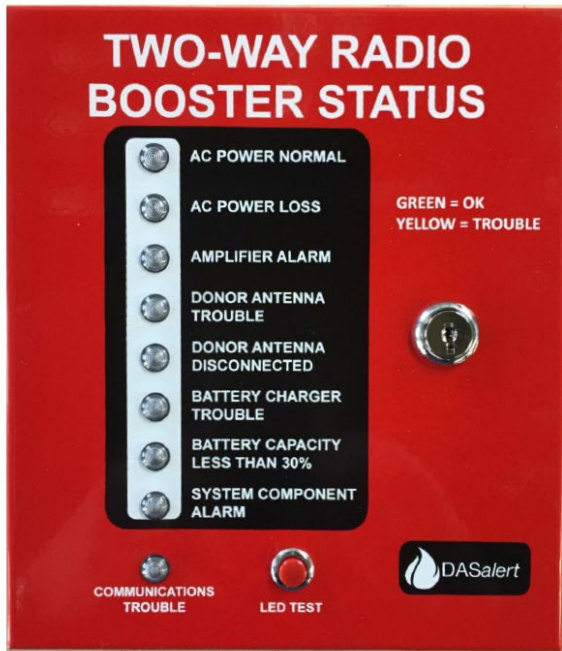


2/1/2023

sales@dasalert.com

Phone: 303 526-1965

Model 2524 Public Safety DAS Annunciator Panel



(8" H x 7" W x 3.6" D)

Meets or exceeds all UL 2524, IFC, NFPA 1221 & Local requirements

Visible Annunciators for: *

- Normal AC power
- Loss of normal AC power
- Battery Charger failure
- Loss of battery capacity to 70% depletion
- Donor antenna malfunction
- Amplifier malfunction
- Donor Antenna disconnection
- System Component malfunction
- Communications Trouble

Audible alarm with silence switch "**located inside locked cabinet**". *

All alarm connections to DAS equipment monitored for circuit integrity to detect communications problems such as: ground faults, disconnections, shorts or severed wires*

9 Form-C dry relay outputs provided to building's fire panel for each alarm and panel's status.

Internal backup battery provides 24 hours of FAIL-SAFE panel operation in the event of complete loss of all primary AC primary power and DAS secondary DAS backup battery power.

* UL-2524 Requirement



ADDITIONAL FEATURES

- Backwards compatible with all previous DAS Alert 1221 models. New smaller size (8.3" H" x 7.2" W x 3.7" D)
- Nine LED alarm indicators. Color codes compatible with all jurisdictions. Flashing for the color-blind.
- Works with any BDA or BBU alarm relay contact configuration (NO or NC when in alarm).
- Can independently sense Donor Antenna disconnect.*
- Compatible with indoor antenna and passive device failure detection units.
- 15 easily removed ½" knockouts for flexible easy installation.
- Two unique siren sounds to indicate alarms or communications problems.*
- All power and alarms can be multiplexed on a single CAT 5/6 cable up to 5000 ft in length.
- Universal power supply: Can operate with any user supplied DC power supply between 12-56 VDC or the supplied 120 VAC to 24 VDC wall mount power unit.
- Very low current consumption: 40 ma at 24 VDC, 20 ma at 48 VDC.
- 9 dry relay outputs to Fire Alarm Control Panel. Can be programmed to be NO or NC on Alarm
- Uses relays immune to long-term contact corrosion that cause relays to stick after long periods of activation.
- Can be expanded to serve multiple annunciators in campus situations.
- Available accessories:

Surround kit for in-wall mounting.

Headend Mounted Status indicator with Alarm Multiplexer and dry relays to Fire panel

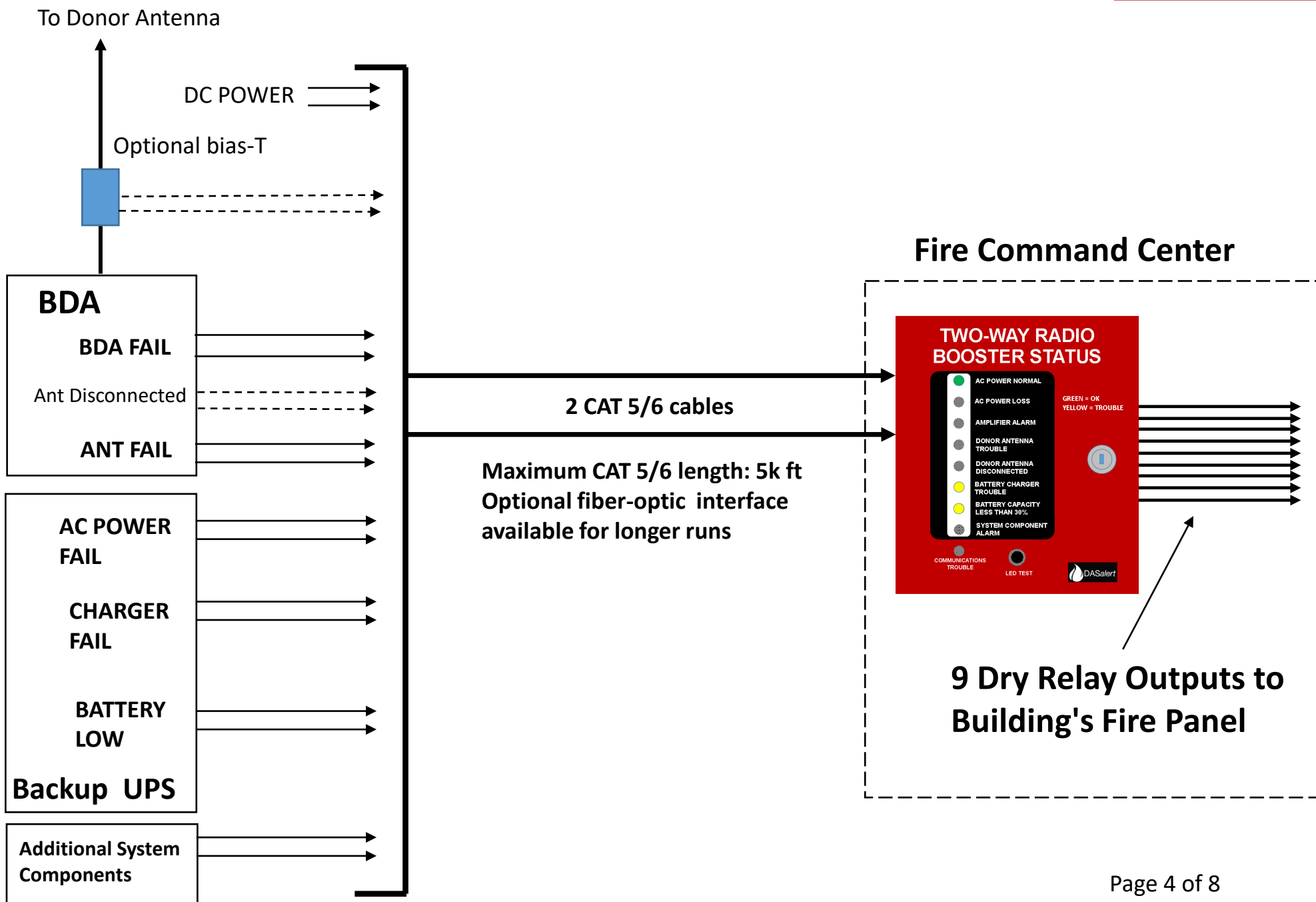
Headend terminal block for easy wire management and connection to any BDA and BBU

Bias-T

- Independent self-test for simulating any alarm or off- normal condition.

* UL-2524 Requirement

Standard Connections from BDA & BBU (Optional Fiber interface Available)

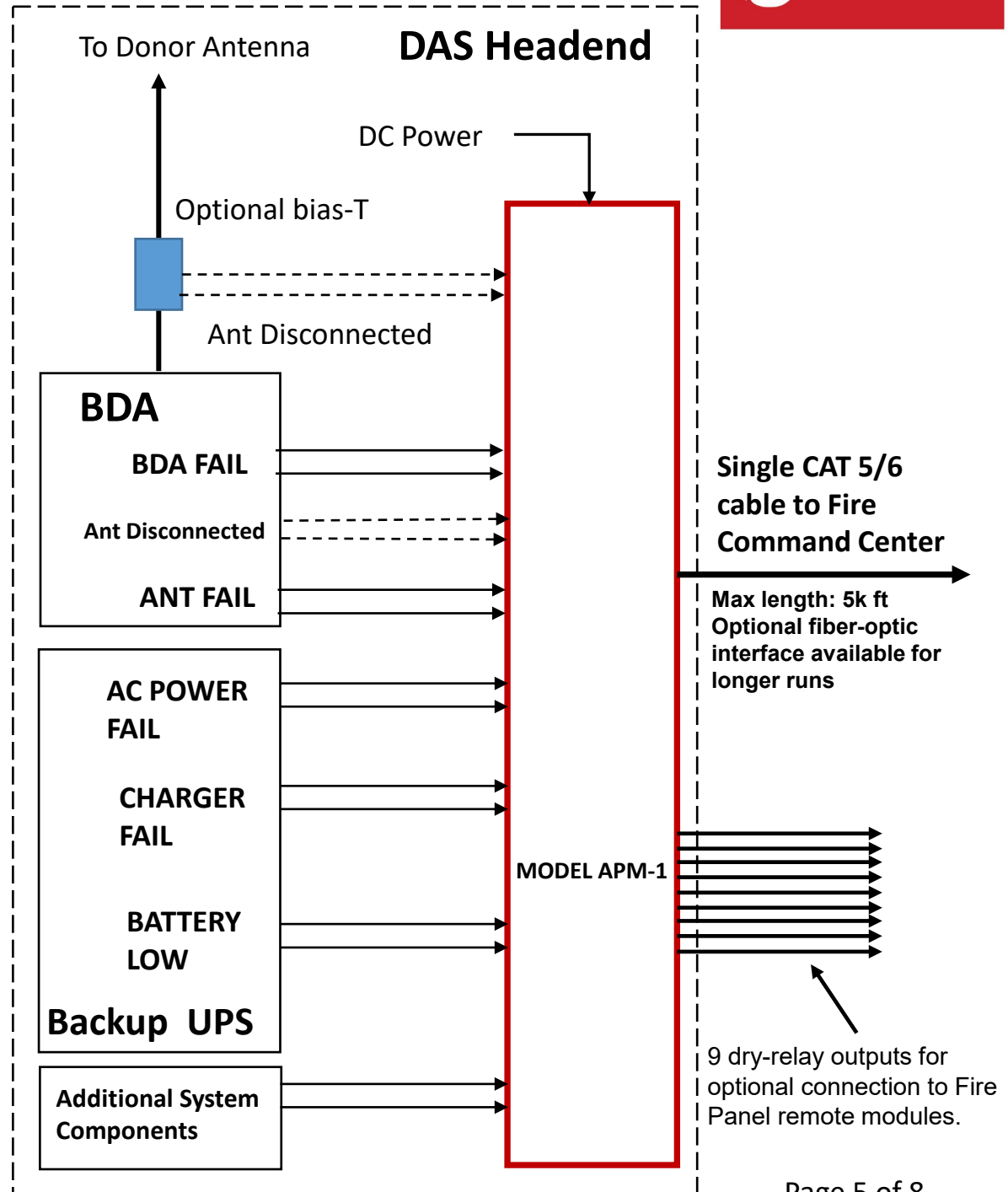


Optional Universal Power Supply, Status Indicator and Alarm Multiplexer simplifies long cable runs from Headend to Fire Command Center and FACP modules



Mounts in DAS headend near BDA and BBU
Small 7.9”H x 4.7”W x 3”D NEMA-4 Enclosure

- Operates with any user supplied DC power supply between 12-56 VDC or the supplied 120 VAC to 24 VDC wall mount power supply
- Eliminates the need for End-of- Line Resistors
- Has 6 pop-outs for flexible cable installation
- Displays status of all alarms from BDA and BBU dry relays
- Has 9 dry-relay outputs for optional connection to Fire Panel remote modules.
- Can be configured to work with any NO or NC dry relay alarm contacts.



Multiple features to enable quick and easy installation



In-wall Flush Mounting
Surround Kit

All alarms from DAS equipment and power for the panel multiplexed on a single CAT 6 cable that can run up to 5000 ft.

Universal power supply provided that is compatible with input DC power between 12 to 48 VDC and supplied AC / DC wall mount 24 VDC power unit

Optional in-wall flush-mounting kit available to enable easy installation into wall cavity

Optional Fiber-optic interface unit available for installations that require CAT 5/6 cable runs longer than 5000 ft

Redundant alarm LED's visible on optional Mux / Power supply unit (Model APM-1) in DAS headend for confidence testing and trouble shooting

Multiple (15) easily-removable pop-outs for ½" conduit fittings are provided on panel (3 on each side, top, bottom and back)

Can enable any conduit installation arrangement

Specifications



Visible Annunciators	
Normal AC power	Green when AC power is normal, off when AC power is bad
Loss of normal AC power	Normally off, amber when in alarm
DAS backup Battery Charger failure	Normally off, amber when in alarm
Loss of DAS backup battery capacity to 70% depletion	Normally off, amber when in alarm
Donor antenna malfunction	Normally off, amber when in alarm
BDA malfunction	Normally off, amber when in alarm
Donor antenna disconnection	Normally off, amber when in alarm
System component malfunction	Normally off, amber when in alarm
Communications and panel status	Normally off, amber when in alarm
Audible Annunciator	
Triggers every 10 seconds when any alarm condition exists	
Silence button	
Housed inside locked panel. Silences audible alarm for 24 hours. Reactivates automatically if alarm is not cleared	
Panel backup battery (4 AA NiMH rechargeable batteries) Built in Charger keeps batteries fully charged	
Powers panel for 24 hours in the event of complete loss of all primary and secondary power	
Alarm inputs from DAS equipment dry contact relays	
AC power status	2 wire input
DAS backup Battery Charger failure	2 wire input
Loss of DAS backup battery capacity to 70% depletion	2 wire input
Donor antenna malfunction	2 wire input
BDA malfunction	2 wire input
Donor antenna disconnection (from BDA or outboard bias -T)	2 wire input
System component malfunction	2 wire input
Dry relay form-C alarm relay outputs to building's fire panel	
SPDT relay 2 amps max, 250 VAC max, 220 VDC max	
Normal AC power	
Loss of normal AC power	
DAS backup Battery Charger failure	
Loss of DAS backup battery capacity to 70% depletion	
Donor antenna malfunction	
BDA malfunction	
Donor antenna disconnection	
System component malfunction	
Communications and panel status	



Alarm inputs from DAS equipment dry contact relays	
AC power status	2 wire input
DAS backup Battery Charger failure	2 wire input
Loss of DAS backup battery capacity to 70% depletion	2 wire input
Donor antenna malfunction	2 wire input
BDA malfunction	2 wire input
Donor antenna disconnection (from BDA or outboard bias -T)	2 wire input
System component malfunction	2 wire input
Cable connection from DAS headend to panel	Standard: 2 Cat 5/6 cables With optional APM-1: 1 Cat 5/6 cable
Max Cable length	5000 feet
Optional fiber interface	Carries all alarms on a single fiber (single mode or multimode). Max distance 20 km
	Power supply included for panel
Dry relay alarm outputs to building's fire panel	SP relay 0.4 amps max, 60 VAC RMS or DC max
Normal AC power	
Loss of normal AC power	
DAS backup Battery Charger failure	
Loss of DAS backup battery capacity to 70% depletion	
Donor antenna malfunction	
BDA malfunction	
Donor antenna disconnection	
System component malfunction	
Communications and panel status	
Power	
Supplied 24 VDC power supply (120 VAC input) or user supplied DC power between 12-48 VDC .	40 ma @ 24 VDC, 20 ma a@ 48 VDC.
Physical Characteristics	
Panel:	7" W x 8" H x 3.7" D Weight: 4 Lbs
Power Supply / Alarm Multiplexer APM-1	6" H x 6" W x 4" D Weight 3 Lbs
Optional in-wall mounting surround	9" W x 10" H

Meets or exceeds the foillowing specifications:	
UL2524 (2019 version)	
NFPA 72	
NFPA 1221	
NEMA-4	
IEC320-C14	
UL60950-1+C30B27:C57B23:C57B19:CB2:C57	