



303-526-1965
www.DASAlert.com
sales@DASAlert.com



User & Installation Manual

Public Safety DAS Annunciator Panel

120 VAC Models: 1221-A, 1221-B, 1221-C

48 VDC Models: 1221-A-48, 1221-B-48, 1221-C-48

24 VDC Models: 1221A-24, 1221-B-24, 1221-C-24

Date: 6/1/2020



For Customer Support
contact us at

Ph: 303-526-1965
8:00 am - 5:00 pm MST

sales@DASAlert.com

CAUTION: (Read This First)

This panel has been designed to make it nearly bullet proof to mistakes made when wiring it to your DAS equipment . Once you have verified that everything is working as expected, **the panel's 12 VDC backup battery should be the very last thing to connect. This will ensure that the battery's 1 amp fuse will be unlikely to blow due to any wiring errors.**

Applicable Models

This manual covers the following Model Numbers:

1221-A, 1221-B, 1221-C

1221-A-48, 1221-B-48, 1221-C-48

1221-A-24. 1221-B-24. 1221-C-24

Models 1221-A, 1221-B and 1221-C are all powered by an included 15 VDC power supply that is wall mounted and connects to any standard 120 VAC outlet.

Models 1221-A-48, 1221-B-48 and 1221-C-48 are powered by a user supplied 48 VDC power supply and backup battery used by the BDA

Models 1221-A-24, Model 1221-B-24 and 1221-C-24 are powered by a user supplied 24 VDC power supply and backup battery used by the BDA

Models 1221-C , 1221-C-24, 1221-C-48 have a specially colored LEDS that are required in some jurisdictions (see page 18 for details)

TOOLS REQUIRED

Standard Voltmeter

Tools and hardware for wall mounting

INCLUDED TOOLS:

The screw driver for the connector clamps is included in the accessories

A trim pot adjustment tool is included with the accessories for applicable models.

Cable Lengths

This panel is designed to work with standard Cat 5 or Cat 6 cable that typically has a DC resistance of about 2.5 ohms per 100 ft for a single wire strand.

For all the connections to standard dry relay contacts in the DAS equipment the length of the cable between the panel and the DAS equipment is not critical because the current in the loop is only about 1 milliamp. So cable runs up to 5000 feet or longer can easily be accommodated.

This is not true however for only the Model 1221-A interface connections that are used to sense the status of the outdoor Donor Antenna. The panel has a circuit in it that measures the DC resistance of a 50-ohm terminator installed at the outdoor antenna via a bias-T fitting. If the resistance is too high indicating an open circuit or too low indicating a short circuit an alarm is triggered. So the DC resistance of the coax cable, any connectors and surge protectors in line and the Cat 5 or Cat 6 cabling leading to the panel can be a significant factor in the overall DC resistance that the panel measures. To null out these variables there is a trim pot adjustment that must be made when the panel is first installed, but there is a limit to how much resistance can be nulled. **For this circuit to work well a single twisted pair of cat 5 / cat 6 cable can be used up to 1000 feet in length.** If the cable run is longer than this (for example 2000 feet) then two twisted pairs should be used in parallel to lower the cable resistance. Please consult our customer service for additional advice and information.

The DC powered units both draw about 100 milliamps of current at either 48 VDC or 24 VDC. Please use a wire gauge that supports this current consumption with minimal DC voltage drop over the length of the cable run .

Special BDA Configurations and Settings

If your BDA does not conform to the standard alarm relay configuration shown in Figures 2 or 3, please contact us. We have designed into the panel several special DIP switch settings that can accommodate almost any non-standard alarm set up. For example the CommScope NODE A requires some special settings to deal with issues when power is disconnected. Please contact us for more information.

Model 1221-A, 1221-B and 1221-C Independent DAS Annunciator Panel

Included Items:

QTY	Description
1	Main Alarm Panel
3	16 pin cable connector
1	8 pin cable connector
1	6 pin DC Power connector
1	Screw Driver for mating wires to connectors
1	6 Ahr 12 vdc SLA backup battery
1	Trim pot adjustment tool (in applicable models)
1	Installation Manual
10	10 k Ohm 0.25 watt end-of -line resistor
1	15 VDC wall mount power supply (in applicable models)
1	Spare 1 amp battery fuse
1	10 pin connector

This panel is designed to meet the requirements of NFPA -72 (versions 2010, 2013 and 2016), and the 2016 version of NFPA-1221.

It consists of several component sections that enable its use with many different types of BDA's and backup power supplies / UPS. It also has the capability to support DAS installations that have multiple amplifiers and donor antennas. Physically the panel modules consist of two printed circuit boards: the LED Board which is mounted on the back side of the door and the Mother Board that is mounted inside the main body of the enclosure. There is a shelf / cavity that holds the included 6 Ahr 12 vdc SLA emergency backup battery. A 15 VDC power supply is also included in applicable models that can be connected to any 120 VAC electrical outlet. Models that are powered by 48 VDC or 24 VDC do not include this power supply. Figure 1 shows the main components. Figure 12 shows the other supplied items.

The main system sections are as follows for the standard models 1221-A and 1221-B:

1. HIGH Brightness 3-color (Red, Green, Blue) LED Annunciator Displays

- Main AC power Loss
- BDA / Amplifier Alarm
- Summary System Alarm
- Antenna Failure
- DAS Battery Charger Failure
- DAS Battery Capacity Low (less than 30%)

The panel also provides individual Blue LED indications if there is a communications error (open, disconnected or shorted cable between the panel and the DAS equipment).

2. Communications Integrity Supervision Sensors

For each alarm relay from the BDA or backup power supply a sensor is provided that detects if the cables connected to these devices are open or disconnected. A set of dry relay Form-C contacts are also provided to optionally communicate this problem to the main fire alarm panel (MFAP).

3. FORM- C Dry Relay Contacts to mate with common Fire Alarm Panels (See Figure 5)

These alarm contacts are rated at 1 amp and include provisions for easily installing End-of-Line Resistors (EOLR) inside the panel that are specified by the Fire Panel supplier. These relays utilize the same signaling format as smoke detectors. So in the event of an alarm or panel failure the relays will close shorting the end-of-line resistor.

4. ANTENNA Failure (Model 1221-A See Figure 6)

Some BDA's lack the capability to detect problems with the donor antenna or its lead-in cable. This panel includes the internal circuitry to provide this functionality if the BDA does not provide it. It mates with user supplied bias –T fittings to sense common donor antenna feed problems.

Figure 1. Main Components



Main Panel



**Backup Battery
(mounts inside panel)**



**15 VDC Power
Supply**

Included with Models 1221-A, 1221-B, 1221-C

Not included with Models 1221-A-48, 1221-B-48, 1221-C-48

1221-A-24, 1221-B-24, 1221-C-24

5. DAS Backup Battery Charger Failure (Model 1221-A)

If the DAS backup battery charger or UPS does not have a failure sensor, the panel can provide alternative functionality.

6. DAS Backup Battery Capacity less than 30% (Model 1221-A)

If the backup power supply or UPS does not have this alarm capability, the panel can provide alternative capability.

7. Backup 24 Hour Panel Power

The panel is powered via an external wall mounted 15 VDC power supply or the external 48 VDC or 24 VDC power supply that provides emergency power for the BDA. In the event of AC power loss or loss of 48/24 VDC, the panel will continue normal operation for at least 24 hours. The panel's internal backup battery has a lifetime of 4-5 years. Best practices call for replacement on an annual basis. The panel is designed for a backup battery with these maximum dimensions: 5.96" L x 2.58" W x 3.65" H or smaller. The replacement battery is available from Amstron (Model AP-1250 F2).

The panel's battery also has a method of reporting its failure or its need for replacement to the Main Fire Alarm Panel. This feature can be turned OFF or ON. The default mode for this is OFF. (DIP switch SW4-10 ON)

8. NEMA-4 rated wall mounted enclosure

This panel meet the NEMA-4 water resistant requirements. It has four thermoplastic knockouts on the bottom of the panel that provide four openings for standard 1/2" and 3/4" EMT conduit fittings. If any of the knockouts are not removed, they should be sealed in place with RTV or a similar sealant to maintain the enclosure's NEMA-4 rating.

9. Test Features

A "push to test" button is provided that will illuminate each of the 3 color LEDs (red , green and blue) for a few seconds in each color. During this test the alarm relays to the main fire alarm panel (MFAP) are also actuated. To disable this push button see page 19. To statically test the alarm relays there are internal DIP switch settings that will simulate alarms or normal status for the these relays. (see Table 1). For the Model 1221-C series the LEDS are Amber, Green and Blue.

Model Differences

<u>Module</u>	Model					
	1221-A	1221-B	1221-C	1221-A-48 or	1221-B-48 or	1221-C-48 or 1221-C-24
Annunciator Panel with FORM-C relay outputs to main fire alarm system	✓	✓	✓	✓	✓	✓
Alternative Donor Antenna Failure Sense Module	✓		✓	✓		✓
Alternative DAS Battery Capacity Sense Module	✓		✓	✓		✓
Alternative DAS Battery Charger Failure Sense Module	✓		✓	✓		✓
Panel Backup Battery (6 Ahr)	✓	✓	✓	✓	✓	✓
Power Source	120 VAC	120 VAC	120 VAC	48 or 24 VDC	48 or 24 VDC	48 or 24 VDC
LED Colors	Red, Green, Blue	Red, Green, Blue	Amber, Green, Blue	Red, Green, Blue	Red, Green, Blue	Amber, Green, Blue

Mating with DAS Equipment

Figure 2 shows the standard method of mating this panel with a BDA and UPS. The standard method is the same as that used to connect to most Fire Alarm Panels where an end-of-line resistor (EOLR) is used to sense the alarm status and detect if the cables are open, disconnected or shorted. Most BDA and UPS units are provided with Form-C dry relay contacts that can be connected so if there is an alarm or power failure the relay will close providing a short across the end-of-line resistor. For this panel the EOLR is 10 k Ohms, These are provided with the panel accessories for connection at the DAS equipment.

Some BDA or UPS suppliers do not provide Form-C dry relay alarm contacts (See Figure 3). Instead they use Form-A contacts which open when there is an alarm. In this case the panel can be programmed to accommodate this mode by closing the appropriate DIP switch as shown in Table 1 in the APPENDIX.

Figure 4 shows how to wire to the panel if multiple BDA's or UPS units are utilized in the system. In this configuration, the EOLR is located at the last unit in the daisy chain.

In the event it is not possible to install the 10k Ohm EOLR at the DAS equipment, these can be simulated by closing the appropriate DIP switch as shown in Table 1. This method can also be utilized for testing to simulate an 'OK' status input when the DAS equipment is not connected or if one or some of the DAS alarm inputs are not used.

Connections to Main Fire Alarm Panel

Figure 5 shows the output cable connections from the internal relays to the Main Fire Alarm Panel (MFAP). **NOTE: Connectors J2 and J7 on the LED PC board are designed to be directly wired to the MFAP. Connectors J4 and J3 on the LED PC Board are internally connected pin-for-pin to the panel's alarm relays and are intended to hold and connect the end-of-line resistors specified by the MFAP supplier to the relay contacts (See Figure 20).** The plugs for these connectors are mated with their headers on the PC boards. To connect them to external wiring a miniature screw driver is included that is used to tighten the wire clamp on each pin (See Figure 17). The wire clamps will accommodate wire sizes up to 16 AWG in diameter and as small as 26 AWG. **Note that these connectors are NOT keyed, so careful attention must be paid to the pin numbers that are marked on the PC board when mating the connector. You also must check that the connector is not offset to insure that all of the appropriate pins of the header are mated with the plug. This is an easy error to make when mating this type of connector.**

The panel's independent alarm relays can be connected to a master fire panel that uses the normal conventional alarm configuration (i.e. when the relays signal an alarm, they are closed causing the EOLR to be shorted). In the unlikely event you are connecting to a panel that uses the opposite convention, the unused pins on the relay connectors are also available to connect to and conform to this non-standard convention.

Alarm relays are provided for loss of AC POWER, AMPLIFIER malfunction, DONOR ANTENNA malfunction, DAS Backup battery CHARGER failure, and DAS BATTERY CAPACITY low. **Optional alarm relays are provided to signal a COMMUNICATIONS FAULT with the DAS equipment (open, severed or disconnected cable between the annunciator panel and DAS equipment) and an optional SYSTEM summary alarm that is triggered when any of the other alarms are active. This relay can also be connected to an audible alarm instead of the fire alarm panel.**

DIP Switch Settings

DIP switches are used to program the functionality of the panel. Unless we have advised you otherwise, the panel is shipped with the standard default factory settings shown in the table on the next page. Details regarding the function of each switch are shown in the APPENDIX.

DEFAULT FACTORY SETTINGS FOR DIP SWITCHES
(See page 37 for photos of these switches)

DIP SWITCH	SETTING	LOCATION
SW1-1	OFF	Mother Board
SW1-2	OFF	Mother Board
SW1-3	OFF	Mother Board
SW1-4	OFF	Mother Board
SW1-5	OFF	Mother Board
SW1-6	OFF	Mother Board
SW1-7	OFF	Mother Board
SW1-8	OFF	Mother Board
SW1-9	OFF	Mother Board
SW1-10	OFF	Mother Board
SW2-1	OFF	Mother Board
SW2-2	OFF	Mother Board
SW2-3	OFF	Mother Board
SW2-4	OFF	Mother Board
SW2-5	OFF	Mother Board
SW2-6	OFF	Mother Board
SW2-7	ON	Mother Board
SW2-8	ON	Mother Board
SW2-9	OFF	Mother Board
SW2-10	OFF	Mother Board
SW3-1	OFF	Mother Board
SW3-2	OFF	Mother Board
SW3-3	OFF	Mother Board
SW3-4	OFF	Mother Board
SW3-5	OFF	Mother Board
SW3-6	ON	Mother Board
SW3-7	OFF	Mother Board
SW3-8	ON	Mother Board
SW3-9	OFF	Mother Board
SW3-10	ON	Mother Board
SW4-1	OFF	LED Board
SW4-2	OFF	LED Board
SW4-3	OFF	LED Board
SW4-4	OFF	LED Board
SW4-5	ON	LED Board
SW4-6	ON	LED Board
SW4-7	OFF	LED Board
SW4-8	ON	LED Board
SW4-9	OFF	LED Board
SW4-10	ON	LED Board

Figure 2. Inputs from DAS equipment with normal Form-C Alarm relays. (Relays are shown in the not energized-power off alarm mode). Supplied 10k Ohm End-of-Line resistors installed near BDA and UPS.

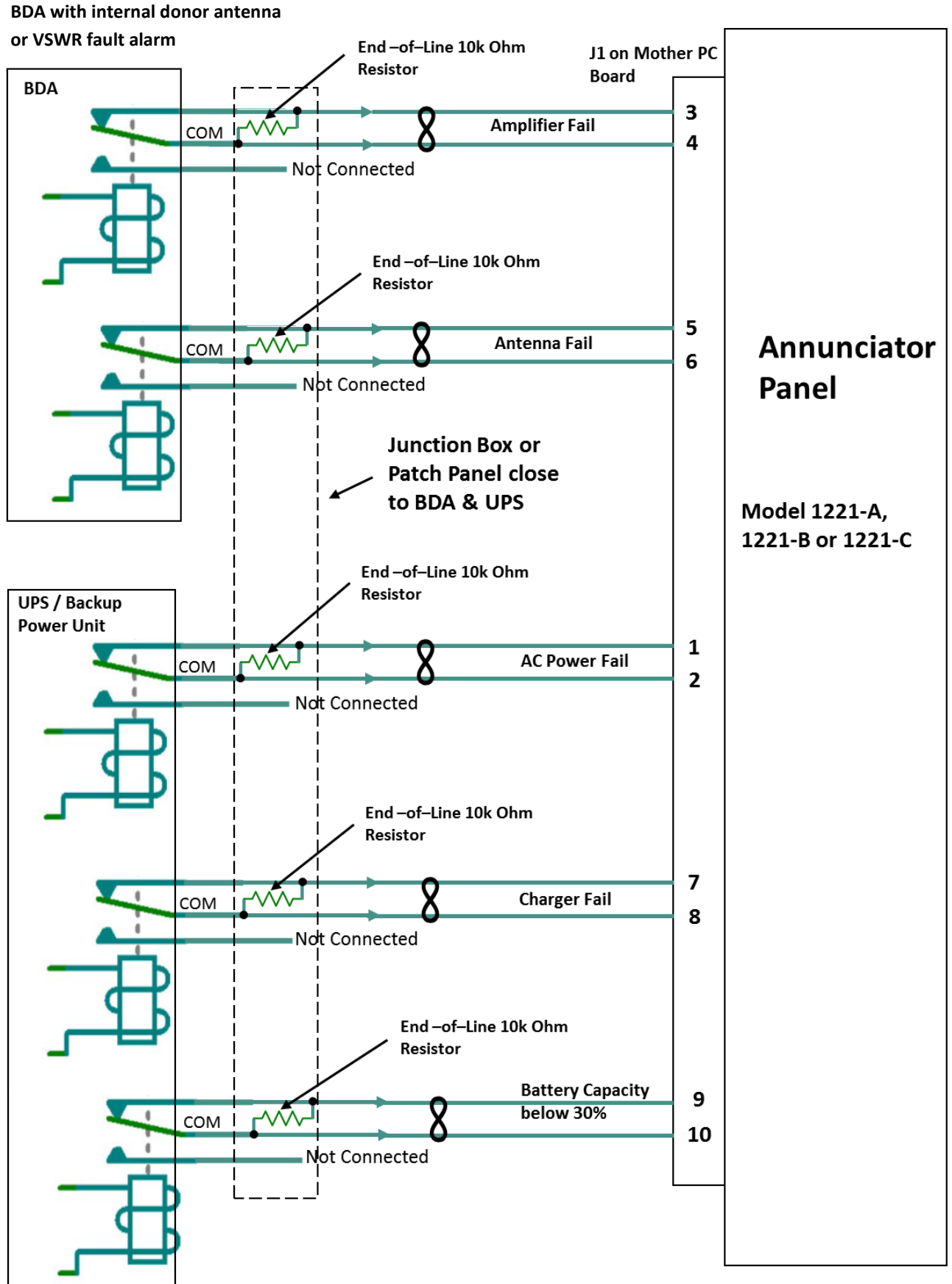
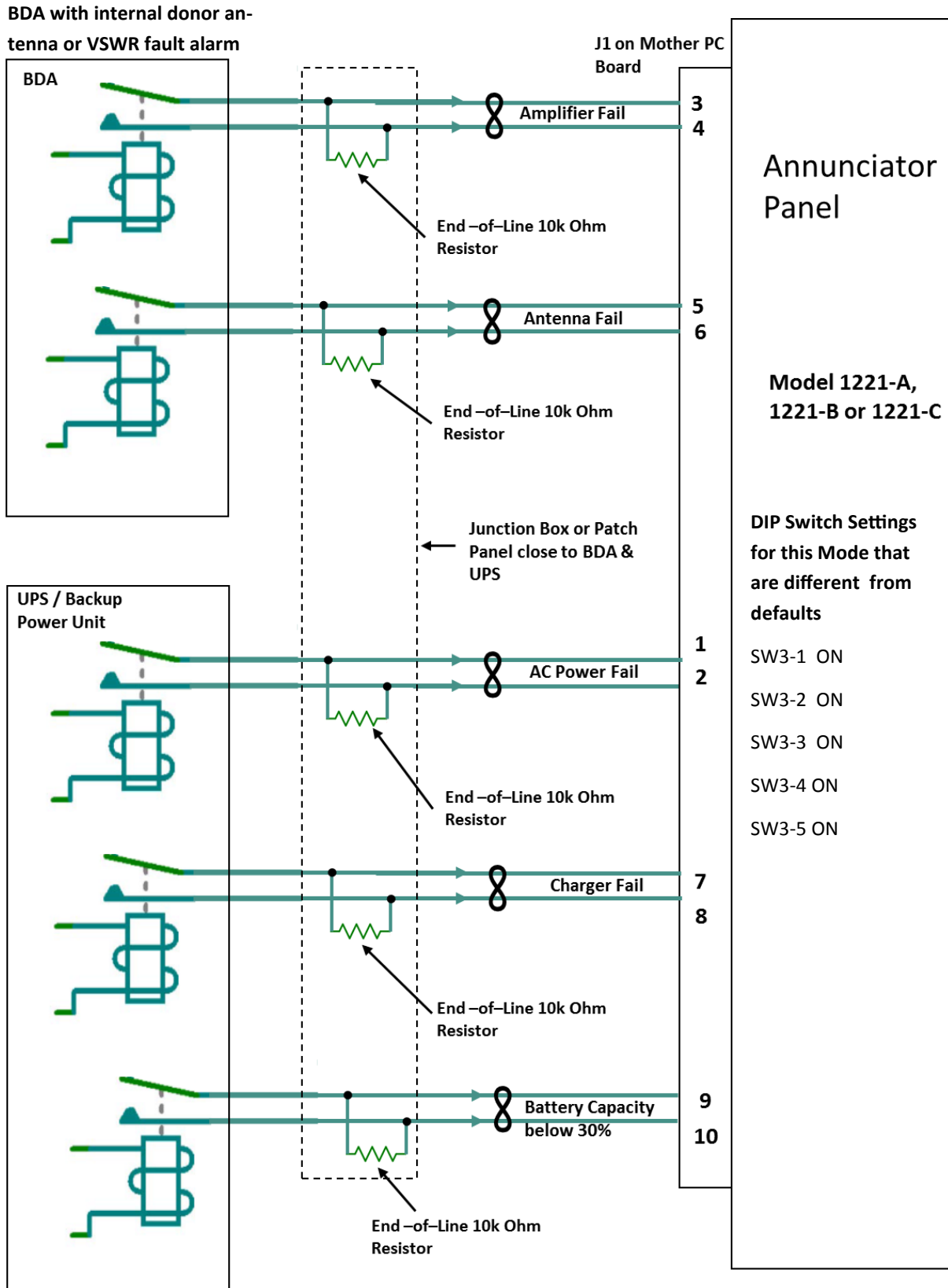


Figure 3. Inputs from DAS with Form-A relays (relays are shown in their not energized-power off alarm state)



This page intentionally blank

Antenna Failure Sense (Models 1221-A and 1221-C)

If the BDA in your system does not have the capability to test antenna and lead-in cable failures, this panel can provide an alternative method for detecting most common problems (cable shorted or disconnected). It should be noted that up until the release of the 2016 version of the NFPA-1221 specifications there was some ambiguity in the codes relative to this requirement relating to the need to test all the antennas in the system (both indoor and outdoor) or if the code required addressing only the outdoor donor antenna. In the 2016 version, the requirement is clearly stated for the outdoor donor antenna. Detecting problems with the indoor antennas is optional.

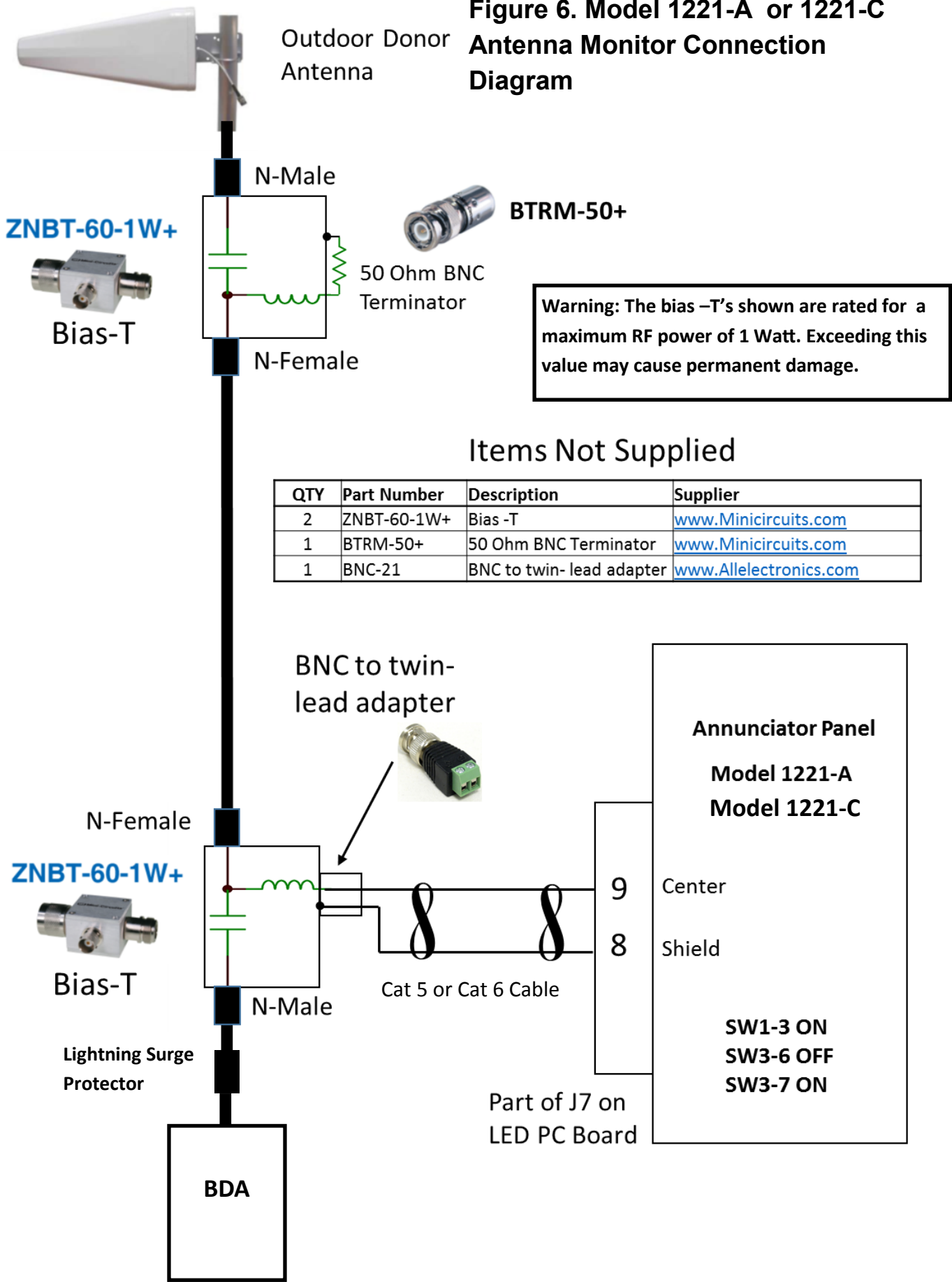
The method used involves injecting a DC voltage (10 VDC) onto the lead-in cable at the input to the BDA using a user supplied bias-T. Another bias-T (user supplied) is used outdoors at the antenna to provide a 50 Ohm DC load (See Figure 6). A typical bias-T rated for 1 watt of RF power can be purchased from Mini-Circuits (Part # ZNBT-60-1W+) High power rated units can also be purchased from Mini-Circuits

If the cable is shorted or open the detector will sense this and trigger an alarm. Since cable and connector DC resistance may vary in each installation there is a trim pot adjustment provided to null these variables out. The procedure is as follows.

- On the Mother Board set the DIP switches different from the default settings as follows:
SW1-3 ON
SW3-6 OFF
SW3-7 ON
(See page 38 for photos of these switch settings)
- Connect a DC voltmeter to the test points labeled ANT and GROUND on the LED Board
- Adjust the trim pot labeled ANT TRIM (R35) on the LED board until the DC voltage reads 5.0 VDC. **Note: This is a 20 turn potentiometer end-to-end. The voltage will vary from a maximum of 10 VDC to zero as it is adjusted. Turning the pot clockwise will increase the voltage.** This voltage has an acceptable window of ± 1 VDC, but you should try to adjust it as close to 5.0 VDC as possible

This method obviously does not detect all antenna problems such as the antenna being blown down in a storm or a new building being constructed between the donor antenna and the public safety repeater, but it will detect common faults such as a short circuit, a severed cable or a loose connector .

Figure 6. Model 1221-A or 1221-C Antenna Monitor Connection Diagram



Warning: The bias -T's shown are rated for a maximum RF power of 1 Watt. Exceeding this value may cause permanent damage.

Items Not Supplied

QTY	Part Number	Description	Supplier
2	ZNBT-60-1W+	Bias -T	www.Minicircuits.com
1	BTRM-50+	50 Ohm BNC Terminator	www.Minicircuits.com
1	BNC-21	BNC to twin-lead adapter	www.Allelectronics.com

This page is intentionally blank

DAS Secondary Power Backup Battery Capacity Test (Model 1221-A and 1221-C)

The code requires monitoring the DAS backup secondary battery to determine when it has less than 30 % capacity left under normal full load emergency backup conditions (no AC power). If the UPS in the system does not have the capability to do this, the panel provides an alternative technique. (see Figure 8 which shows appropriate connections to the external DAS backup power battery). This method measures the battery voltage and when it reaches a predetermined threshold an alarm is triggered. To enable this mode connect the DAS battery as shown in Figure 8 and set the DIP switches on the Mother Board as follows: (see page 39 for photos of these switch settings)

SW1-10 ON SW1-5 ON

SW3-10 OFF

Battery suppliers provide specifications that show how the nominal battery voltage varies as a function of load current and capacity. Different types of batteries from different vendors will have varying specifications. To accommodate this variability a trim pot adjustment is provided on the LED PC board. The table below shows the appropriate DIP switch settings for 48, 24 and 12 VDC systems. Once these switches are set, connect a DC voltmeter to the test points labeled “Battery Low Threshold Test Point” and Ground. Adjust the 20-turn trim pot labeled “DAS BAT Threshold Adjust (R41)” to set the 30% threshold to the require voltage. **NOTE: The test point provides the threshold voltage scaled down by a factor of 10. For example, a threshold trigger point of 45 VDC will read 4.50 VDC on your voltmeter.**

DIP Switch SW-4 on LED Board Settings

	12 VDC Battery	24 VDC Battery	48 VDC Battery
SW4-1	ON	OFF	OFF
SW4-2	ON	OFF	OFF
SW4-3	OFF	ON	OFF
SW4-4	OFF	ON	OFF
SW4-5	OFF	OFF	ON
SW4-6	OFF	OFF	ON

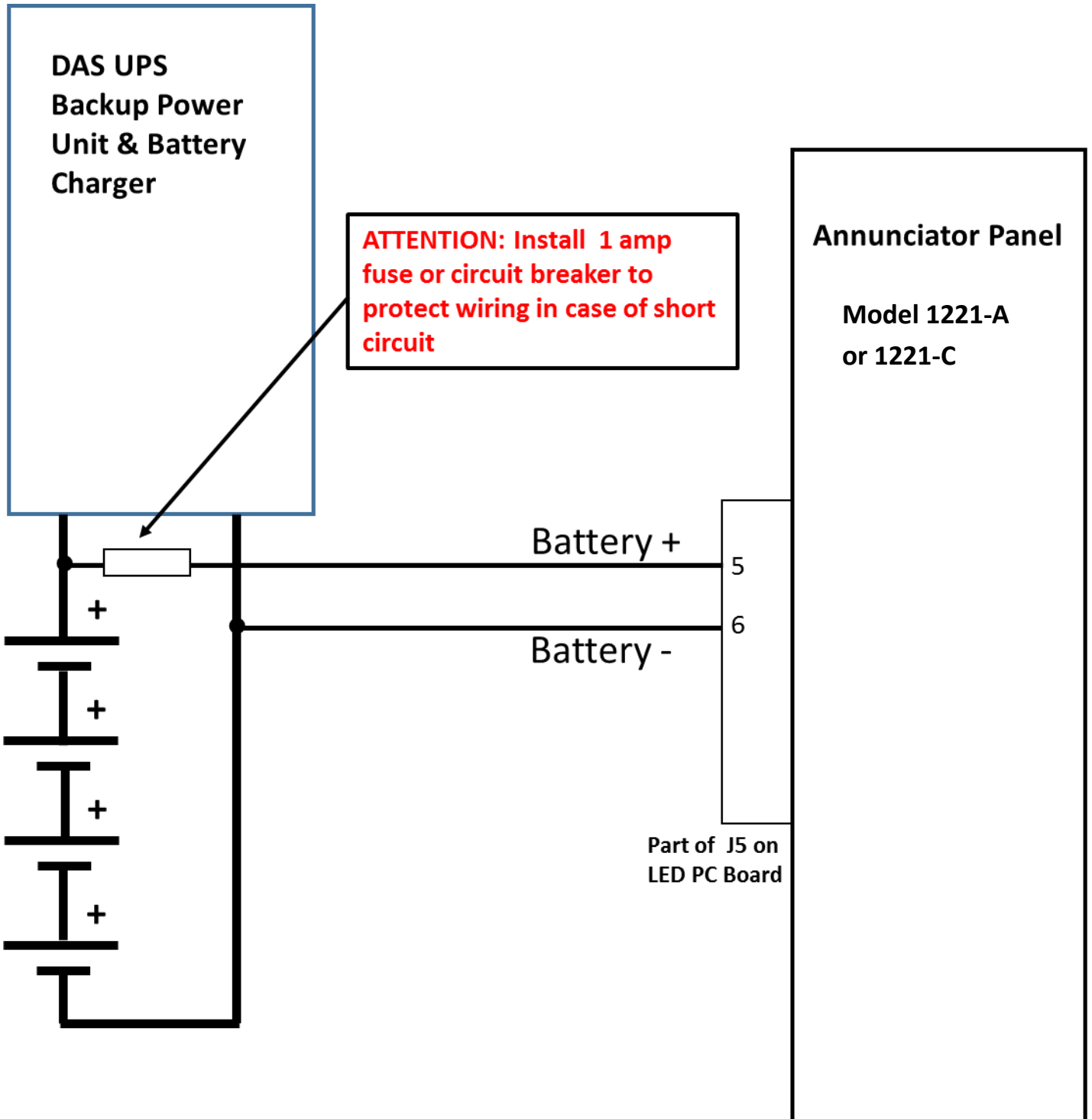
DAS Battery Charger Failure (Model 1221-A and 1221-C)

(On Mother Board set SW3-8 OFF, SW3-9 ON and SW1-4 ON

The code requires monitoring the charger used to keep the DAS secondary power battery at full charge in case of AC Power failure. If the UPS in the system does not have the capability to do this, the panel provides an alternative technique. This method measures the battery voltage and when it reaches a predetermined voltage threshold, an alarm is triggered. To enable this mode set DIP Switch SW3-8 on the Mother board to OFF, SW3-9 on the Mother board to the ON position and SW1-4 to ON. Different types of batteries and chargers from different vendors will have varying performance. To accommodate this variability a trim pot adjustment is provided on the LED PC board. The table above shows the appropriate DIP switch settings for 48, 24 and 12 VDC systems. Once these switches are set, connect a DC voltmeter to the test points labeled “Charger Bad Threshold” and Ground. Adjust the 20-turn trim pot labeled “DAS Charger Threshold Adjust” to set the desired threshold to the require voltage. **NOTE: The test point provides the threshold voltage scaled down by a factor of 10. For example, a threshold trigger point of 52 VDC will read 5.20 VDC on your voltmeter.**

To determine the appropriate threshold, you should run a test to measure the nominal battery voltage when the charger is on vs when the charger is turned off or disconnected. The battery voltage should be lower when the charger is off and the battery is under load.

Figure 8. Model 1221-A Battery and Charger Monitor Connection Diagram



AC Power Loss Alarm (Model 1221-A , Model 1221-B or 1221-C)

There are two methods that can be used to detect loss of AC Power:

1. Connect the panel to an external DAS device (BDA or UPS) that provides Form-C relay contacts to signal an alarm. Figure 2 shows these connections. **This is the default mode and the panel is shipped with the DIP switches set to enable this mode.**
2. Use the loss of AC power to the panel's 15 VDC power supply to sense AC power loss. To enable this mode, on the Mother Board set DIP switch SW1-1 ON and SW1-6 to ON

Model 1221-C or Model 1221-C-48 or Model 1221-C-24

These versions of the panel operate exactly like the Models 1221-A,1221-A-48 and 1221-C except that the colors of the alarm LED indicators on the panel are different to conform to a rarely used color standard that some jurisdictions occasionally specify.

The table below shows the color coding. For an alarm condition, the LED will turn AMBER (yellow). If there is no alarm, the LED will be OFF (except the AC POWER indicator that will turn GREEN).

If there is a communications fault (open, shorted to ground or disconnected cable) between the DAS equipment and the panel, the LED will turn BLUE (except the SYSTEM LED that will be AMBER)

	Normal OK Status	Alarm	Communications Fault
AC Power	Green	Amber	Blue
System	OFF	Amber	Amber
Amplifier	OFF	Amber	Blue
Antenna	OFF	Amber	Blue
Battery Charger	OFF	Amber	Blue
Battery Capacity	OFF	Amber	Blue

Panel Power Supply and Backup Battery

Figure 11 shows how the 15 VDC power supply is attached and the panel's backup battery. **Connect the battery last after everything else is working as expected. This minimizes the chance that an inadvertent wiring error would cause the battery's 1 amp fuse to blow.**

There is an option to monitor the status of this battery and notify the building's main fire alarm panel if it is low or needs replacement. This can be done by setting DIP SW4-10 on the LED board to the OFF position. If the battery needs to be replaced, the SYSTEM LED will flash on and off once per second and the SYSTEM alarm relay will signal an alarm to the building's main fire alarm panel.

For models that run on 48 VDC or 24 VDC, Figure 11B shows how the power connections are configured.

End to End Testing.

DIP switch settings on the Mother board are provided to simulate various alarm conditions:

- DIP switch SW1-7 (Normally OFF, when ON all LEDs will be Red and all relay signals to the main fire alarm panel will be forced to the alarm state except the Communications Fault Alarm.
- DIP switch SW1-8 (Normally OFF, when ON all LEDs will be Green and all relay signals to the main fire alarm panel will be forced to the normal non-alarm state.

DIP switch SW1-9 (Normally OFF, when ON all LEDs except the SYSTEM LED will be blue . The SYSTEM LED will be Red and the Communications fault and System relay signals to the main fire alarm panel will be forced to the alarm state. All other relay signals to the main fire alarm panel will be in the normal non-alarm state.

Disabling the "PUSH TO TEST" Button

If the panel is located in a public space it is advisable to disable the "PUSH TO TEST" button on the front panel once the unit is installed and tested.. Otherwise the button could be actuated by unauthorized persons and trigger a false alarm to the building's Master Fire Alarm.

To do this, set DIP switch SW4-7 on the LED BOARD to the ON position. Normally it is OFF.

Forcing the SYSTEM LED to be GREEN

Some jurisdictions require that the SYSTEM LED stay GREEN when there is an alarm of the AC POWER, ANTENNA, AMPLIFIER, BATTERY or CHARGER. To enable this mode, on dip switch SW4 set SW4-8 to OFF and SW4-9 to ON.

Test Points (TP)

Test Points (TP) are provided on the LED board to use for troubleshooting and system setup (see Figure 18). These TPs are designed to mate with standard voltmeter probes. Each TP is isolated from the main circuits via a 10k resistor so if a TP is inadvertently shorted, no damage will result. The table below shows the nominal DC signals that can be measured at each TP.

Name	DC Voltage	Comments
+14 VDC	11-15 VDC	Approximately 12 VDC when running on panel backup battery. 14 VDC when power supply is active
10 VDC	10 VDC	Output of panel's 10 VDC regulator
Antenna	5 VDC	Nominal level is 5.0 VDC. Will vary as a function of antenna cable length and number of antennas that are monitored.. Use the Antenna trim pot to adjust this voltage to a nominal 5 VDC value
DAS Charger Threshold	varies	Depends on threshold value set to detect DAS Charger failure
DAS Battery Low	varies	Depends on threshold value set to detect DAS battery capacity
DAS Battery +	Depends on DAS Battery.	Connected to DAS battery positive and negative terminals so the status of the DAS Backup Battery can be measured
DAS Battery -	Either 12 , 24 or 48 VDC	
Ground	0 vdc	Connected to circuit ground and enclosure chassis

Figure 11. 120 AC to 15 VDC Power Supply Connections

Model 1221-A , 1221-B and 1221-C

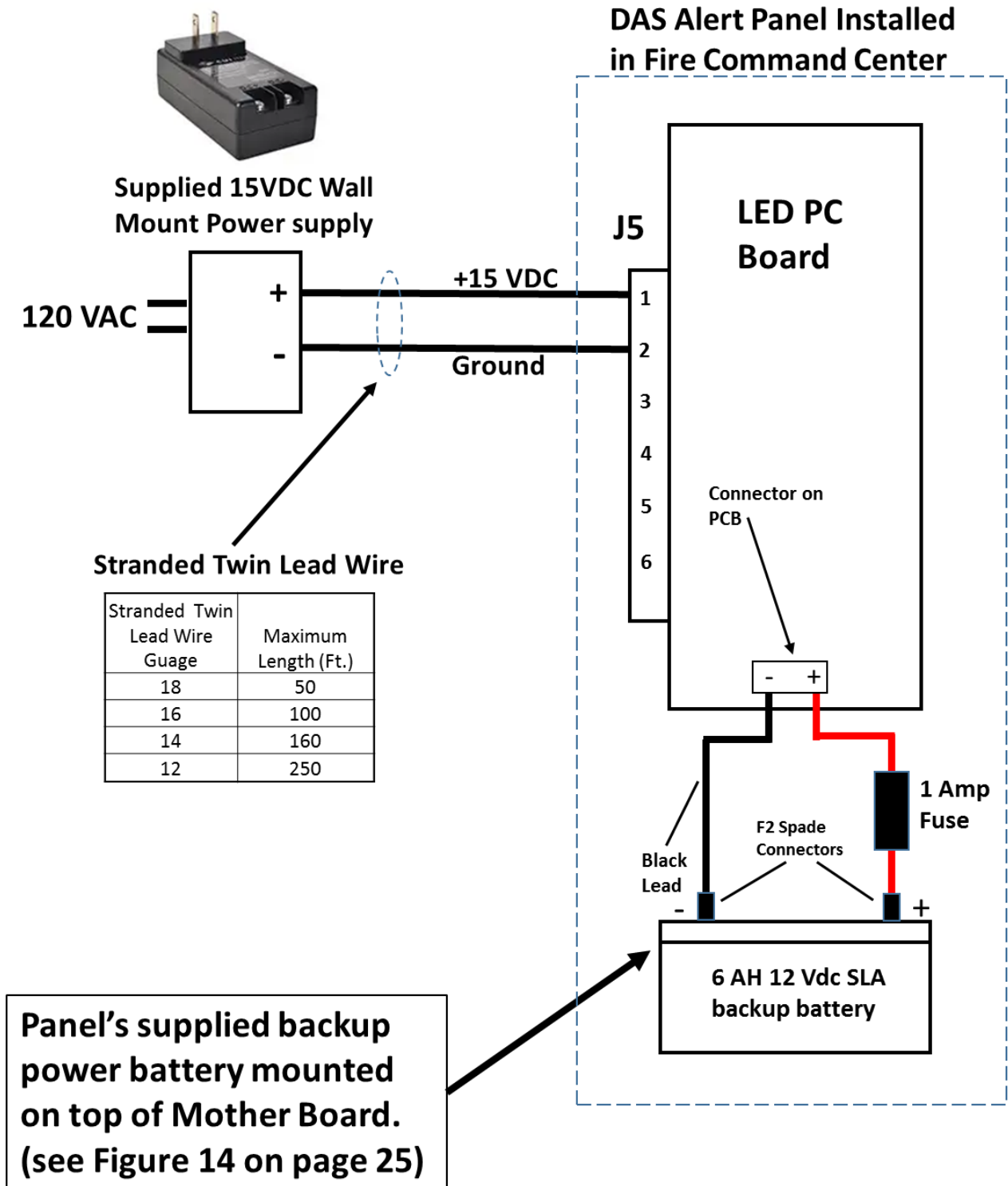


Figure 11-B DC Power Supply Connections For 48 VDC or 24 VDC Models

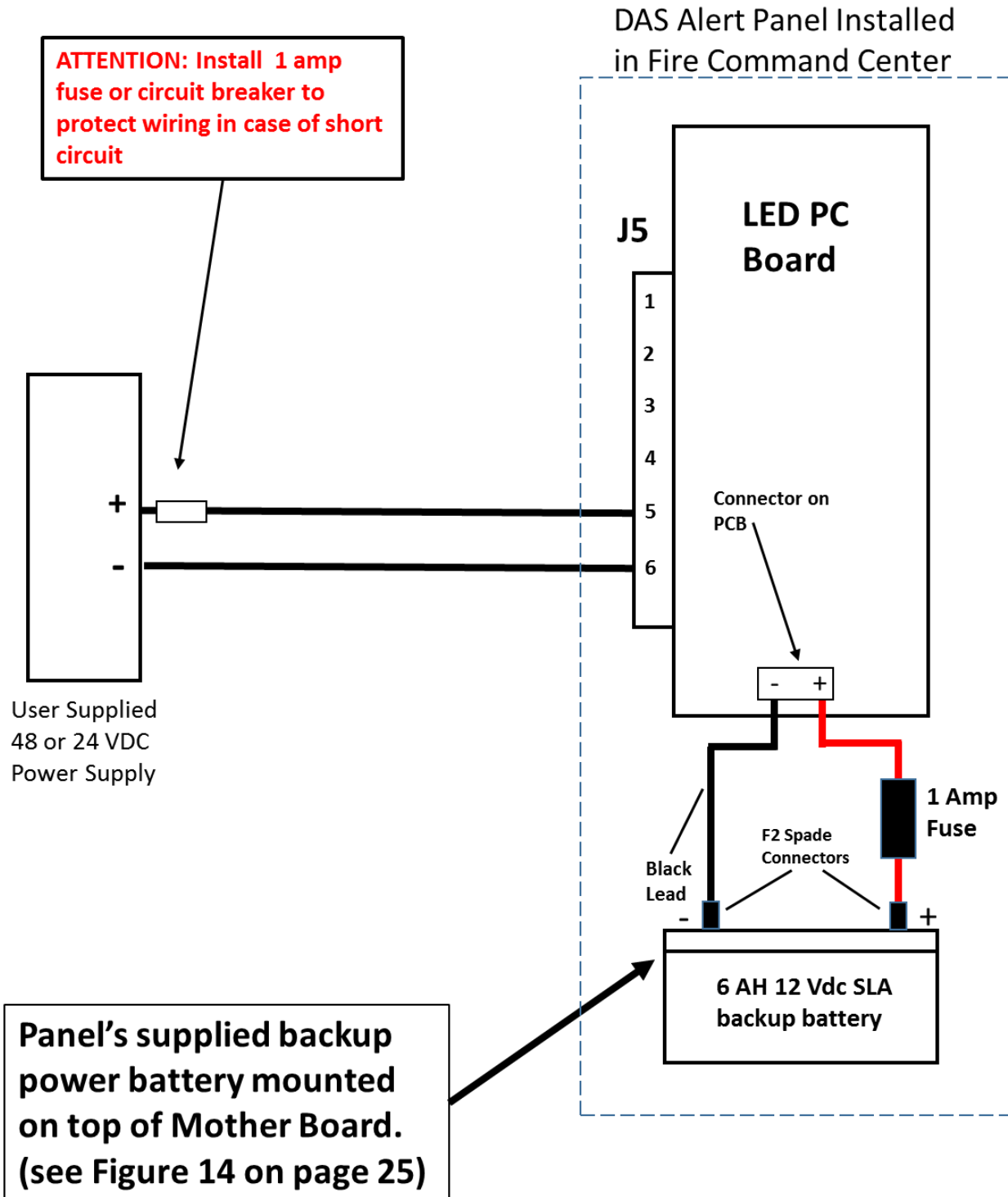


Figure 12. Included Accessories

Trimpot adjustment tool

(Taped to inside of door only in Models 1221-A and 1221-C)



10k Ohm End-of-line-resistors

Screw Driver
for Connector
Clamps

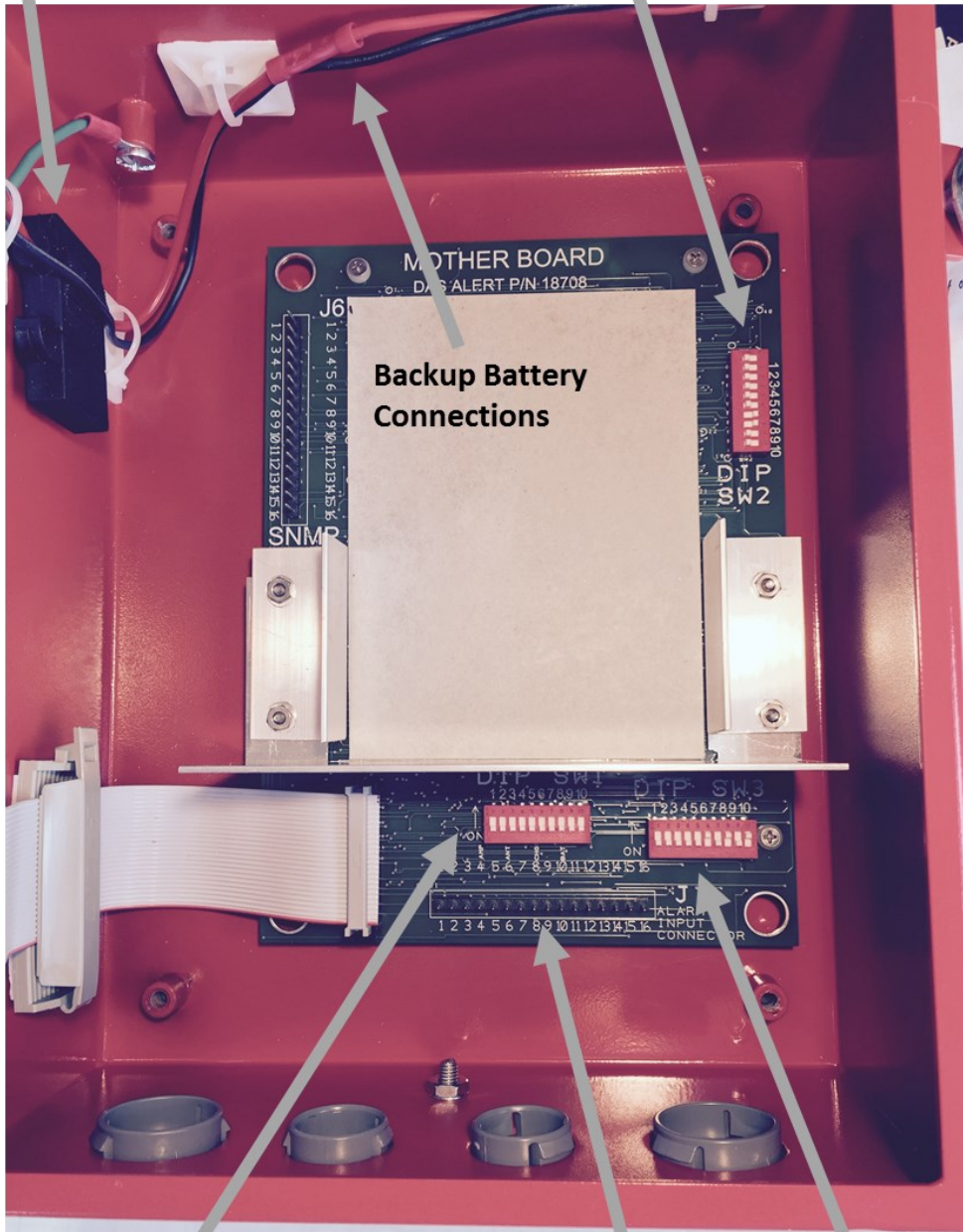


Spare Battery
Fuse

Figure 13. Mother Board Model 1221-A or 1221-B

1 Amp Battery Fuse Holder

DIP Switch SW2



DIP Switch SW1

Connector J1

DIP Switch SW3

Figure 14. Backup Panel Battery Installation

IMPORTANT: Insure battery is firmly depressed towards back of enclosure to eliminate interference with door when closed.

Do not route any wires over surface of battery

Battery Connection Lugs



Figure 15. Mounting Flanges, Conduit Knockouts and Grounding Lug

Dimensions:

10.0" H x 8.0" W x 4.0"D

Top Mounting Flange



For installations requiring in-wall flush mounting, see page 40

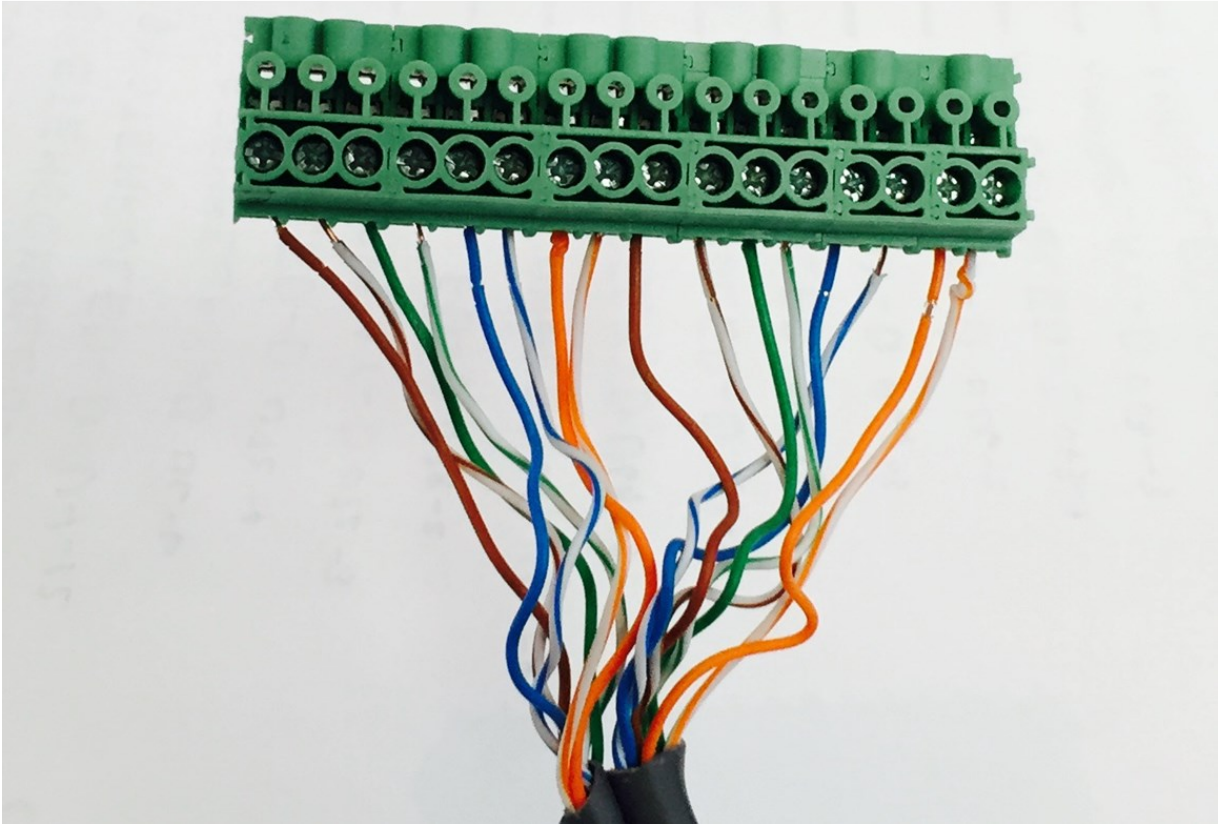
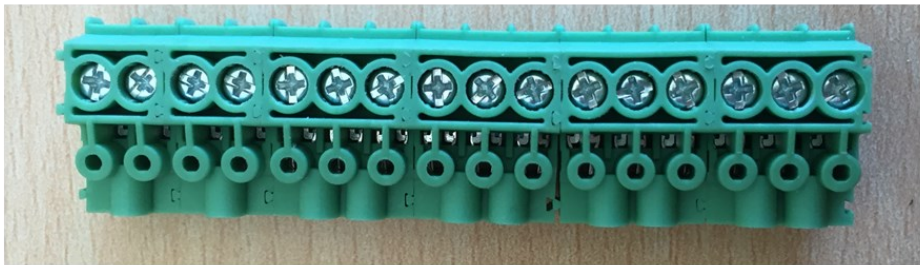
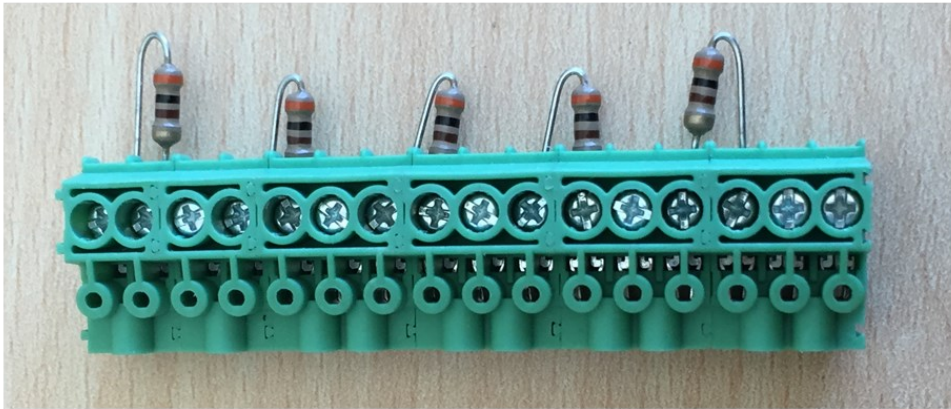


Bottom Mounting Flange, Conduit Knockouts and Grounding Lug

Figure 16. Removable plugs for standard 1/2 " and 3/4" conduit fittings



Figure 17. Connectors



**Figure 18. LED Board
Model 1221-A or 1221-B**

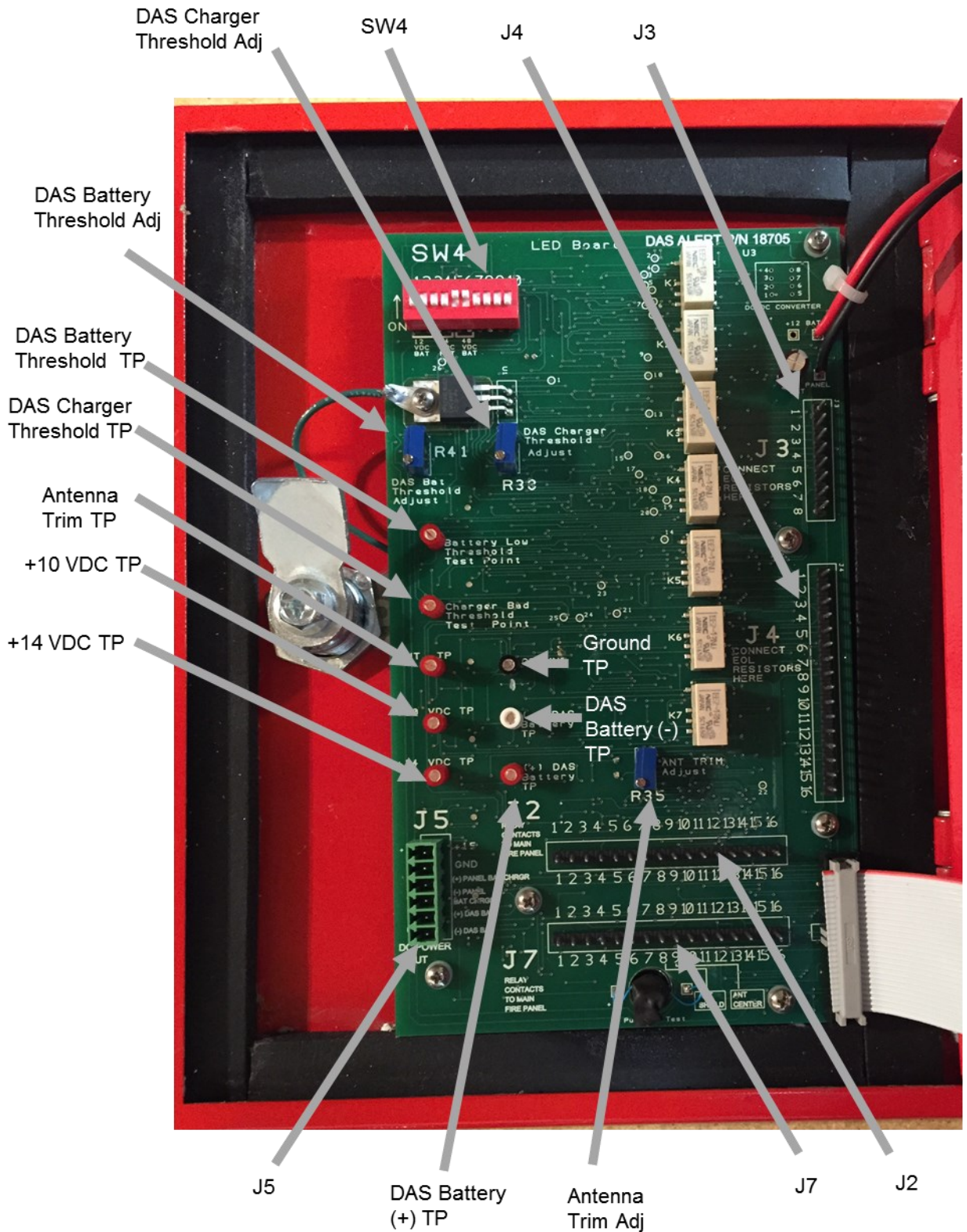
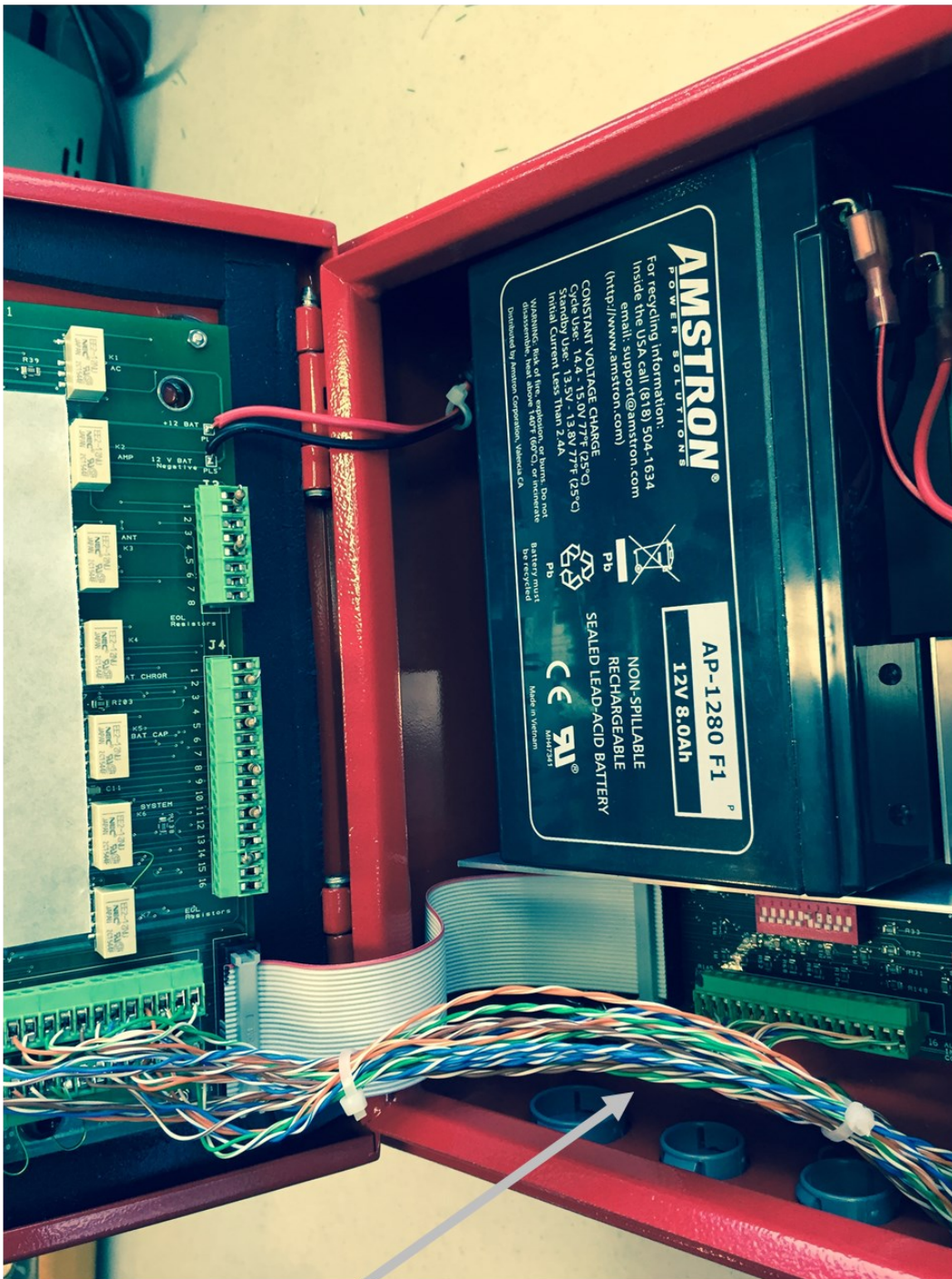
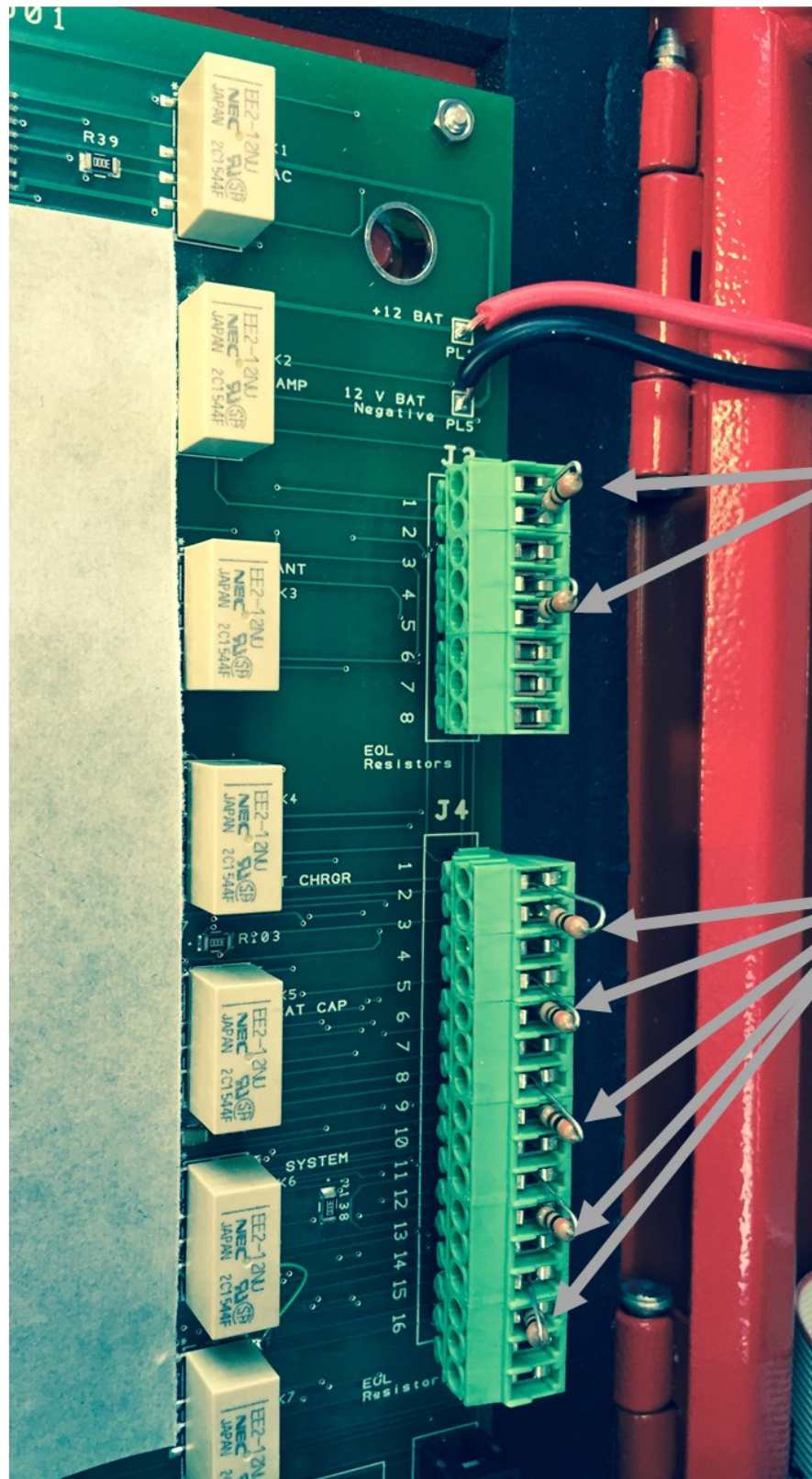


Figure 19. Wire Routing Inside Panel



Keep these wire bundles below battery shelf to avoid interference with door when panel is closed

Figure 20. End of Line Resistor Installation for Alarm Signals Going to Main Fire Alarm Panel



Resistors mounted on J3

End of Line Resistors supplied by Master Fire Alarm Panel Installer

Resistors mounted on J4

LED Board

Table 1. DIP Switch Settings

LED PC Board	
DIP Switch	Function
SW4-1	12 VDC Battery
SW4-2	12 VDC Battery
SW4-3	24 VDC Battery
SW4-4	24 VDC Battery
SW4-5	48 VDC Battery
SW4-6	48 VDC Battery
SW4-7	Normally OFF, ON disables "PUSH TO TEST " button
SW4-8	Normally ON, OFF forces SYSTEM LED to always be GREEN
SW4-9	Normally OFF, ON forces SYSTEM LED to always be GREEN
SW4-10	Normally ON, OFF enables monitoring of Panel Battery Status
Mother PC Board	
DIP Switch	Function
SW1-1	Normally OFF, ON places 10 k Ohm EOLR across AC Alarm input
SW1-2	Normally OFF, ON places 10 k Ohm EOLR across BDA-Amplifier Alarm input
SW1-3	Normally OFF, ON places 10 k Ohm EOLR across Antenna Alarm input from BDA
SW1-4	Normally OFF, ON places 10 k Ohm EOLR across DAS Battery Charger Alarm input
SW1-5	Normally OFF. ON places 10 k Ohm EOLR across DAS Battery Capacity Alarm input
SW1-6	Normally OFF, ON enables 15 VDC Power Supply to trigger AC power loss Alarm. SW1-1 must be also be ON
SW1-7	Normally OFF, ON forces all output relays into Alarm mode (RED LEDS)
SW1-8	Normally OFF, ON forces all output relays to the MFAP into the OK state (GREEN LEDS)
SW1-9	Normally OFF, ON forces a Communications Fault Alarm to the MFAP (BLUE LEDS)
SW1-10	Normally OFF, ON connects internal Battery Capacity sensor to MFAP, In the ON state SW3-10 must be OFF.
SW2-1	Normally OFF, ON disables AC Power Blue LED
SW2-2	Normally OFF, ON disables AMPLIFIER Blue LED
SW2-3	Normally OFF, ON disables ANTENNA Blue LED
SW2-4	Normally OFF, ON disables CHARGER Blue LED
SW2-5	Normally OFF, ON disables BATTERY CAPACITY Blue LED
SW2-6	Normally OFF, ON for use with CommScope NODE A amplifiers
SW2-7	Normally ON, OFF for use with CommScope NODE A amplifiers
SW2-8	Normally ON, OFF for use with some UPS's
SW2-9	NOT USED
SW2-10	ALWAYS OFF
SW3-1	Normally OFF, ON reverses polarity of external AC power loss alarm input from DAS
SW3-2	Normally OFF, ON reverses polarity of DAS BDA-Amplifier alarm input
SW3-3	Normally OFF, ON reverses polarity of external DAS Antenna fail alarm input
SW3-4	Normally OFF, ON reverses polarity of external DAS Battery Charger alarm input
SW3-5	Normally OFF, ON reverses polarity of external DAS Battery Capacity low alarm input
SW3-6	Normally ON to connect external DAS Antenna Fail alarm to the MFAP. In the ON state SW3-7 must be OFF
SW3-7	Normally OFF, ON connects internal DAS Antenna Fail sensor alarm to the MFAP. In the ON state SW3-6 must be OFF
SW3-8	Normally ON to connect external DAS Battery Charger Fail alarm to the MFAP. In the ON state SW3-9 must be OFF
SW3-9	Normally OFF, ON connects internal DAS Battery Charger Fail sensor alarm to the MFAP. In the ON state SW-3-8 must be OFF.
SW3-10	Normally ON, connects external Battery Capacity sensor to the MFAP. In the ON state SW1-10 must be OFF

Connector Pin Assignments and Functions

J1 on Mother PC Board (Inputs from DAS Equipment)	
PIN #	Function / Name
1	AC Power Loss +10 VDC Excite (to UPS)
2	AC Power Loss input (from UPS)
3	BDA-Amplifier Fail +10 VDC Excite (to BDA)
4	BDA-Amplifier Fail input (from BDA)
5	Antenna Fail Alarm +10 VDC Excite (to BDA)
6	Antenna Fail Alarm input (from BDA)
7	DAS Battery Charger Fail +10 VDC Excite (to UPS)
8	DAS Battery Charger Fail Alarm (from UPS)
9	DAS Battery Capacity Low +10 VDC Excite (to UPS)
10	DAS Battery Capacity Low Alarm (from UPS)
11	Not used
12	Not used
13	Not used
14	Not used
15	+ 14 VDC Power for SNMP Module
16	Not used

J2 on LED PC Board (Relay outputs to Main Fire Alarm Panel)	
PIN #	Function / Name
1	AC Fail (COMMON) Alarm relay
2	AC Fail (N.C.) Alarm Relay Contact (closed to common when in alarm or not powered)
3	AC Fail (N.O.) alarm Relay Contact (open to common when in alarm or not powered)
4	BDA-Amplifier (COMMON) Fail Alarm relay
5	BDA-Amplifier (N.C.) Fail Alarm Relay Contact (closed to common when in alarm or not
6	BDA-Amplifier (N.O) Fail Alarm Relay Contact (open to common when in alarm or not
7	Antenna (COMMON) Alarm Relay
8	Antenna Alarm (N.C.) Relay Contact (closed to common when in alarm or not powered)
9	Antenna Alarm (N.O) Relay Contact (open to common when in alarm or not powered)
10	DAS Charger (COMMON) Alarm Relay
11	DAS Charger (N.C.) Alarm Relay Contact (closed to common when in alarm or not pow-
12	DAS Charger Alarm Relay (N.O.) Contact (open to common when in alarm or not
13	DAS Battery Capacity (COMMON) Alarm Relay
14	DAS Battery Capacity (N.C.) Alarm Relay Contact (closed to common when in alarm or not
15	DAS Battery Capacity (N.O.) Relay Contact (open to common when in alarm or not
16	Not used

Connector Pin Assignments and Functions (continued)

J4 on LED PC Board (End of Line Resistor-EOLR contacts)	
PIN #	Function / Name
1	EOLR (COMMON) connection for AC Fail Alarm relay
2	EOLR (N.C.) connection for AC Fail Alarm Relay Contact (closed to common when in alarm or not powered)
3	EOLR (N.O.) connection for AC Fail Alarm Relay Contact (open to common when in alarm or not powered)
4	EOLR (COMMON) connection for BDA-Amplifier Fail Alarm relay
5	EOLR (N.C.) connection for BDA-Amplifier Fail Alarm Relay Contact (closed to common when in alarm or not powered)
6	EOLR (N.O.) connection for BDA-Amplifier Fail Alarm Relay Contact (open to common when in alarm or not powered)
7	EOLR (COMMON) connection for Antenna Alarm Relay
8	EOLR (N.C.) connection for Antenna Alarm Relay Contact (closed to common when in alarm or not powered)
9	EOLR (N.O.) connection for Antenna Alarm Relay Contact (open to common when in alarm or not powered)
10	EOLR (COMMON) connection for DAS Charger Alarm Relay common
11	EOLR (N.C.) connection for DAS Charger Alarm Relay Contact (closed to common when in alarm or not powered)
12	EOLR (N.O.) connection for DAS Charger Alarm Relay Contact (open to common when in alarm or not powered)
13	EOLR (COMMON) connection for DAS Battery Capacity Alarm Relay
14	EOLR (N.C.) connection for DAS Battery Capacity Alarm Relay Contact (closed to common when in alarm or not powered)
15	EOLR (N.O.) connection for DAS Battery Capacity Relay Contact (open to common when in alarm or not powered)
16	Not used

Connector Pin Assignments and Functions (continued)

J7 on LED PC Board (Relay outputs to Main Fire Alarm Panel)	
PIN #	Function / Name
1	System Summary (COMMON) Alarm relay
2	System Summary (N.C.) Alarm Relay Contact (closed to common when in alarm or not
3	System Summary (N.O.) Alarm Relay Contact (open to common when in alarm or not
4	Communications Fault (COMMON) Alarm relay
5	Communications Fault (N.C.) Alarm Relay Contact (closed to common when in alarm
6	Communications Fault (N.O.) Alarm Relay Contact (open to common when in alarm or
7	Not used
8	Shield connection from Bias- T
9	Center conductor connection from Bias-T
10	Not used
11	Not Used
12	Ground
13	Ground
14	+14 VDC Output
15	+14 VDC output
16	Not used

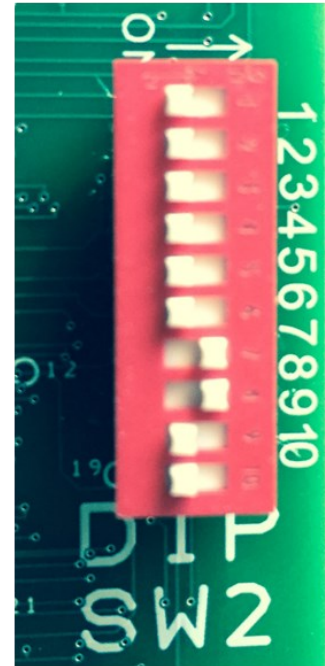
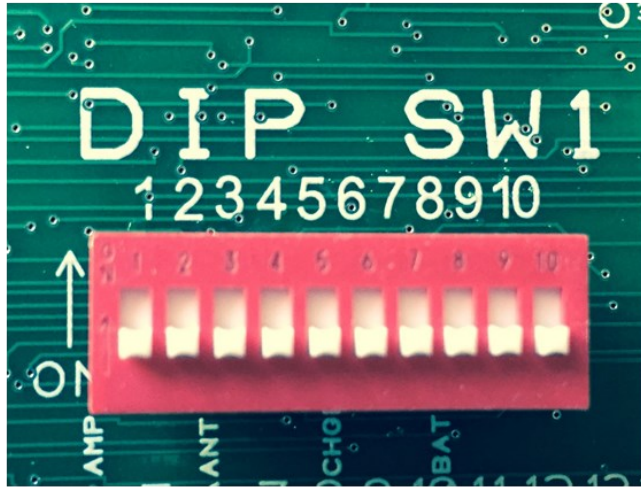
J3 on LED PC Board (End of Line Resistor-EOLR contacts)	
PIN #	Function / Name
1	EOLR (COMMON) connection for System Summary Alarm relay
2	EOLR (N.C.) connection for System Summary Alarm Relay Contact (closed to common when in alarm or not powered)
3	EOLR (N.O.) connection for System Summary Alarm Relay Contact (open to common when in alarm or not powered)
4	EOLR (COMMON) connection for Communication fault Alarm relay
5	EOLR (N.C.) connection for Communications fault Contact (closed to common when in alarm or not powered)
6	EOLR (N.O.) connection for Communications fault Contact (open to common when in alarm or not powered)
7	Not used
8	Not used

Connector Pin Assignments and Functions (continued)

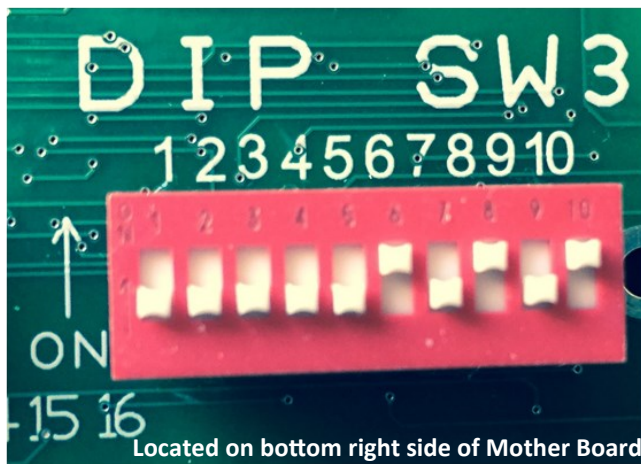
J5 on LED PC Board (DC Power)	
PIN #	Function / Name
1	+15 VDC from external power supply
2	Ground from external power supply
3	Not Used
4	Not Used
5	DAS Backup Battery (+) positive terminal (+48 VDC or +24 VDC)
6	DAS Backup Battery (-) negative terminal (-48 VDC Or -24 VDC)

Figure 21. Default DIP switch settings for all models

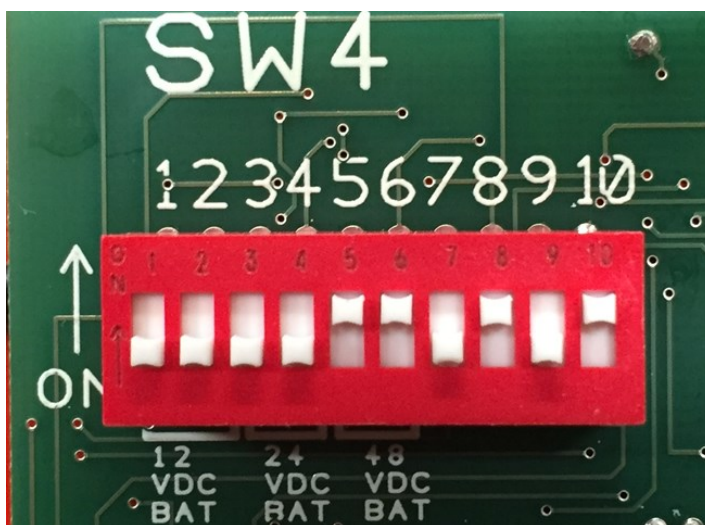
Located on bottom left side of Mother Board



Located on left side of Mother Board



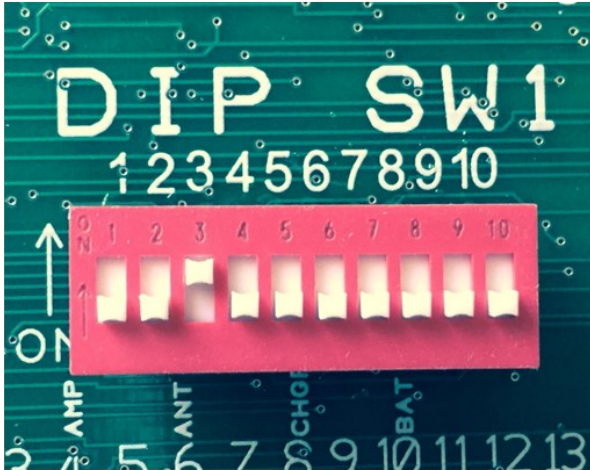
Located on bottom right side of Mother Board



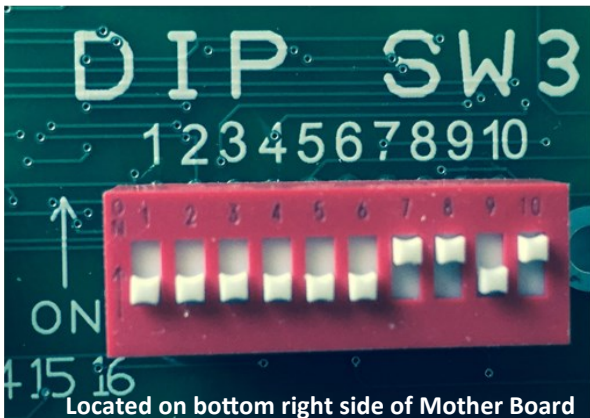
Located on top left side of LED Board

**Figure 22. DIP switch settings for models 1221-A and 1221-C
When using external Bias-T's to monitor Donor Antenna Status**

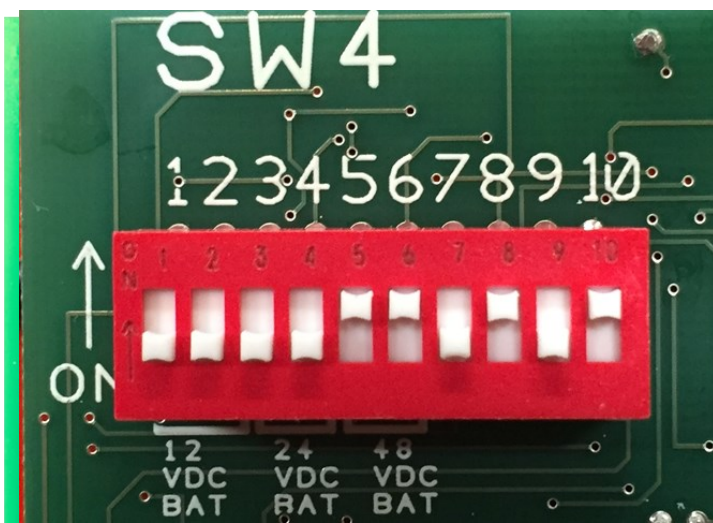
Located on bottom left side of Mother Board



Located on left side of Mother Board



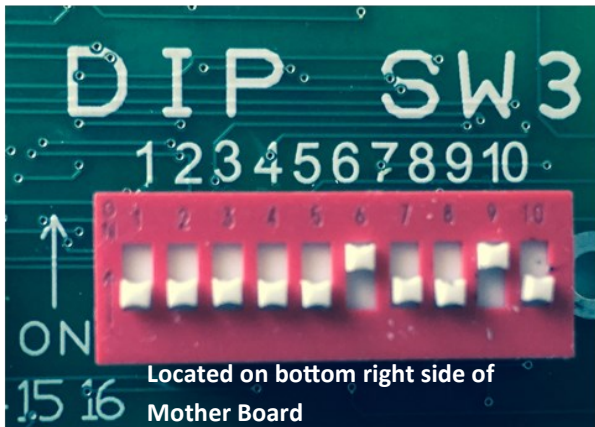
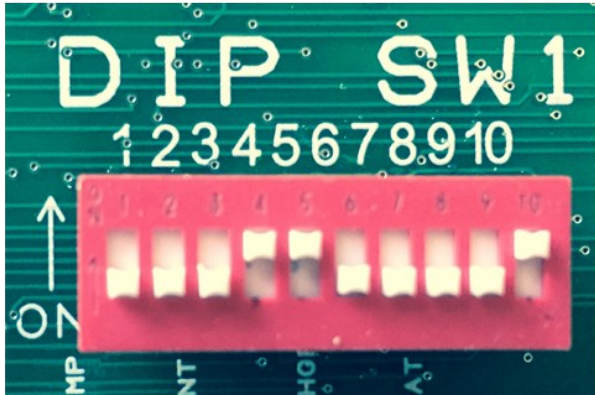
Located on bottom right side of Mother Board



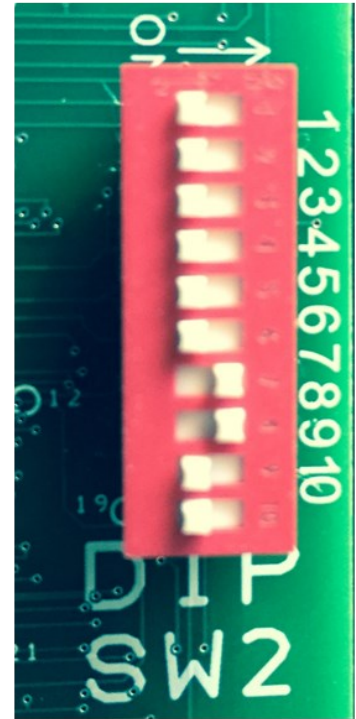
Located on top left side of LED Board

Figure 23. DIP switch settings for models 1221-A and 1221-C. When using the Panel to measure the DAS backup battery voltage to determine Charger Status and Battery Capacity (48 VDC settings shown in this example)

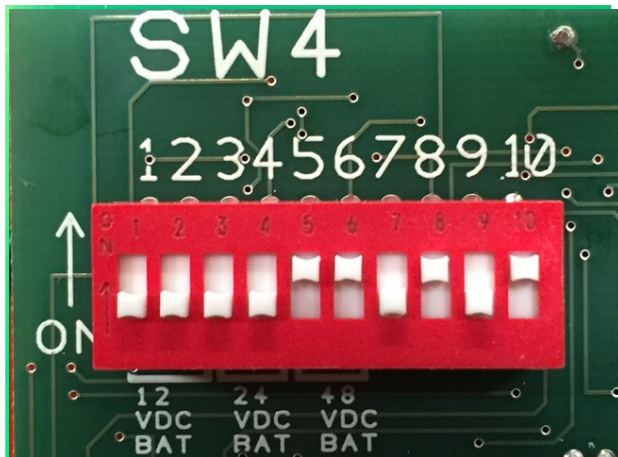
Located on bottom left side of Mother Board



Located on bottom right side of Mother Board



Located on left side of Mother Board



Located on top left side of LED Board

Figure 24. In-Wall Mounting

Model HS-1 Surround Trim for all 1221 Models

(Optional Accessory for In-Wall Mounting)

- Mounts with 4 drywall screws.
- Color: anodized natural aluminum
- Outside dimensions: 13.85" H x 11.85" W
- Thickness: 0.1"



Specifications

Dimensions	10" H x 8" W x 4" D
Weight	11.7 Lbs
Form-C (1 amp) dry relay outputs to Main Fire Alarm Panel	120 VAC Power
	System Fault
	Amplifier
	Antenna
	Battery Charger
	Battery Capacity
	Communications Error
Alarm Inputs from DAS	Antenna OK / Fail
	Amplifier / BDA OK/ Fail
	Charger OK /Fail
	Battery capacity OK / Low
	120 VAC OK / Fail
Analog inputs	Antenna sense
	DAS Backup Battery +/-
Power	15 VDC @200 milliamps from supplied external 120 VAC power supply or 48 or 24VDC @ 100 milliamps
	24 HR backup SLA Battery supplied
Certifications	UL : E65324