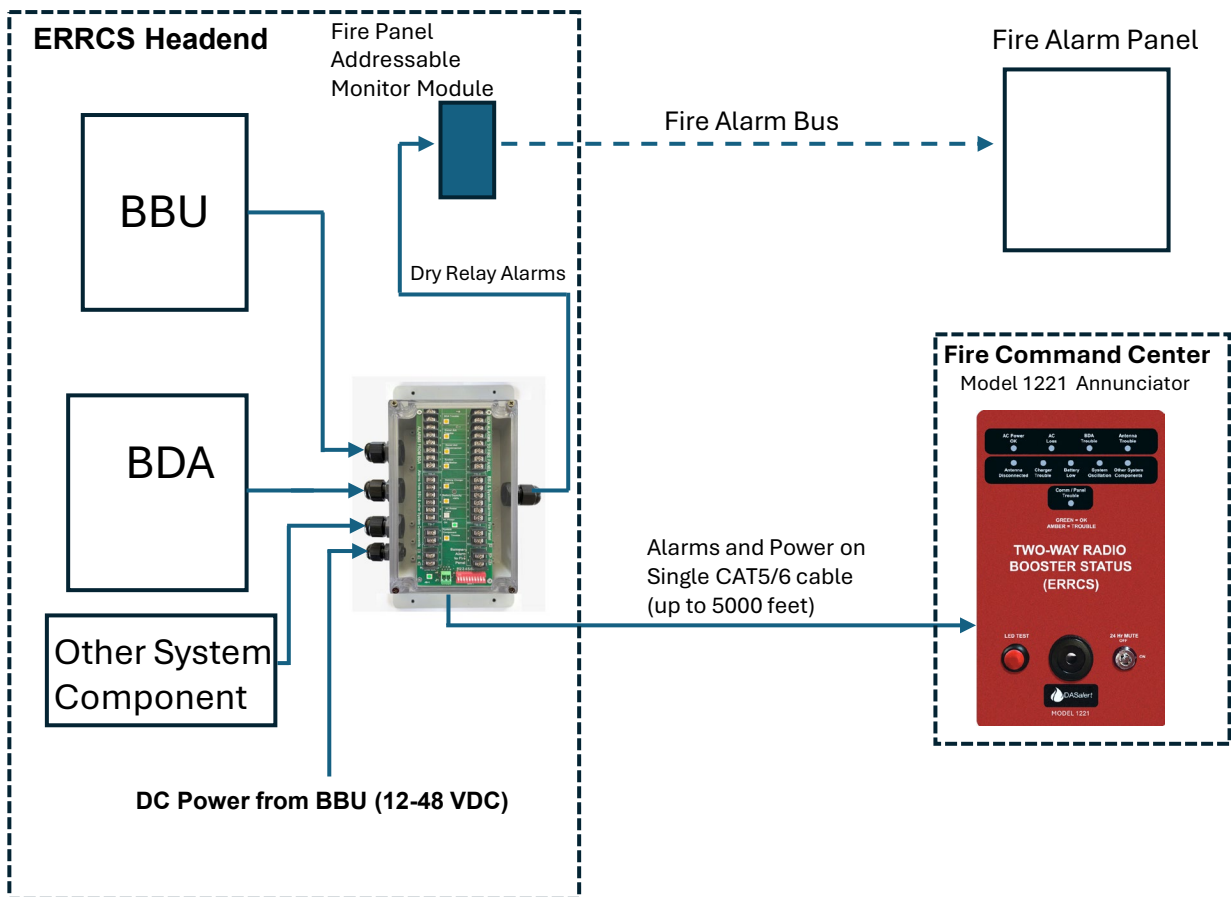


Enables Alarm Connections to Both the DAS Alert Annunciator and Fire Panel Addressable Monitor Modules

Multiplexes Power and Alarms on a single CAT 5/6 cable up 5000 feet

Includes LED Status and an Audible Alarm as required by many AHJs



Specifications

2 wire Alarm Inputs

BDA Trouble
Donor Ant Trouble
Donor Antenna Disconnected
System Oscillation
Battery Charger Trouble
Battery Capacity Low
AC Power Loss
Other System Component Trouble

DRY Relay Outputs to Fire Panel

BDA Trouble
Donor Ant Trouble
Donor Antenna Disconnected
System Oscillation
Battery Charger Trouble
Battery Capacity Low
AC Power Loss
System Component Trouble
Summary Alarm: Activated when there is any kind of alarm or fault condition

Mechanical

L: 7.9" W: 4.7" H: 3.0"

Power

Any volatge between 12 -55 VDC
30 mA at 48VDC

RJ45 output with all alarms and power multiplexed on single cable

10 LED Indicators

